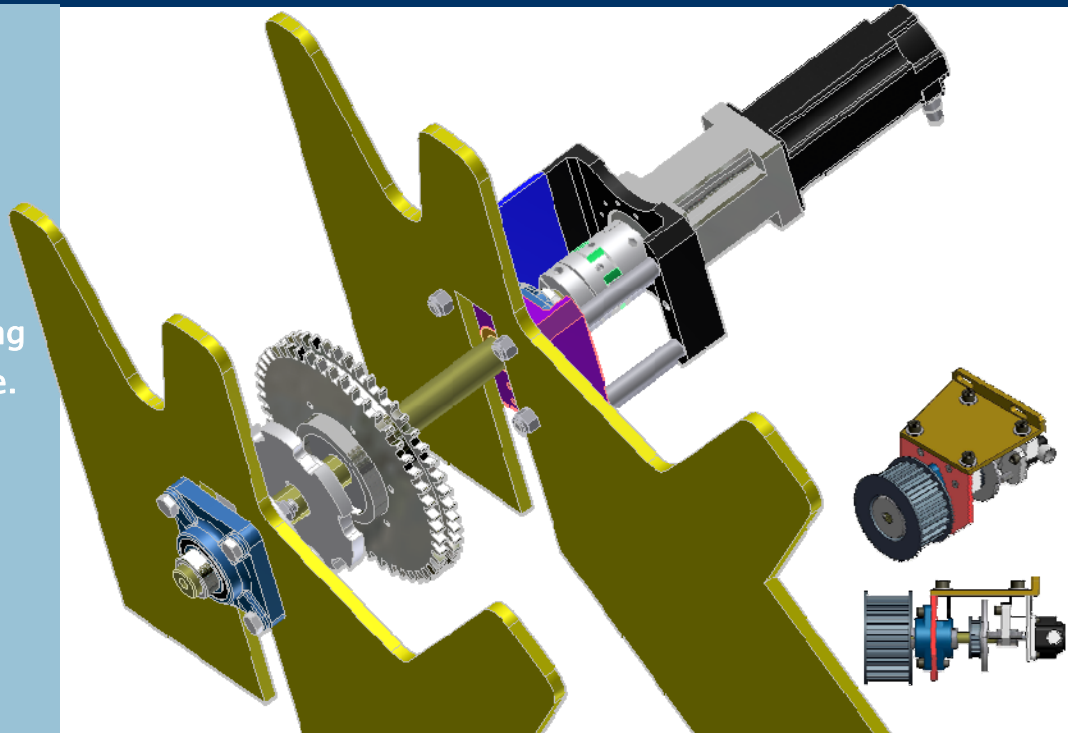


# Servo Carry Off Conveyer System For Ragsdale and Standun Bodymakers

Serving the can making  
industry....worldwide.



OKL's Servo Carry Off Conveyer System eliminates the PTO Shaft and related Gearboxes when used in conjunction with our Servo Cupfeed units.

- ◆ Smooth operation.
- ◆ Allows for better access / lower guard profile.
- ◆ Auto-disable for easy inspection.
- ◆ Simple, quick installation.
- ◆ Included Encoder mount replaces gearbox.

OKL CAN LINE INC.

11235 Sebring Drive  
Cincinnati, OH  
45240  
USA

Phone: + 1 513 825 1655  
Fax: + 1 513 825 1948  
WWW.OKLcan.com  
E-mail: Sales@oklcan.com

