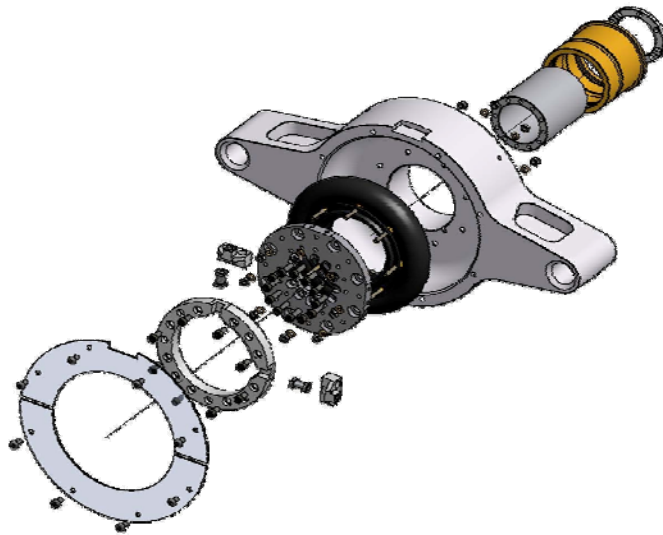


OKL CAN LINE INC.

# Front Holdown Assembly For Standun Bodymakers

Serving the can making  
industry.....worldwide.



OKL's Front Holdown assembly for the Standun Bodymaker is made from aircraft grade aluminum and designed to produce a better quality can at more demanding speeds.

OKL Can Line Inc.

11235 Sebring Drive  
Cincinnati, OH  
45240  
USA

Phone: + 1 513 825 1655  
Fax: + 1 513 825 1948  
WWW.OKLcan.com  
E-mail: Sales@oklcan.com

- ◆ Direct replacement for OEM units.
- ◆ Better Redraw Sleeve control.
- ◆ Solid billet housing.
- ◆ Longer piston bushing for extended life and stability.
- ◆ Better can consistency.



# Front Holddown Assembly

---

OKL Can Line Inc.

- ◆ Sold as complete assembly or replacement body.
- ◆ No permanent modifications to be made, simple reversal to standard if required.
- ◆ Direct replacement for OEM units with same air / oil and grease inlets.
- ◆ Uses same air bag as OEM units.



Serving the can making industry.....worldwide.

---

**OKL Can line**

11235 Sebring Drive  
Cincinnati, OH  
45240  
USA

Phone: + 1 513 825 1655  
Fax: + 1 513 825 1948  
WWW.OKLcan.com  
E-mail: Sales@oklcan.com

