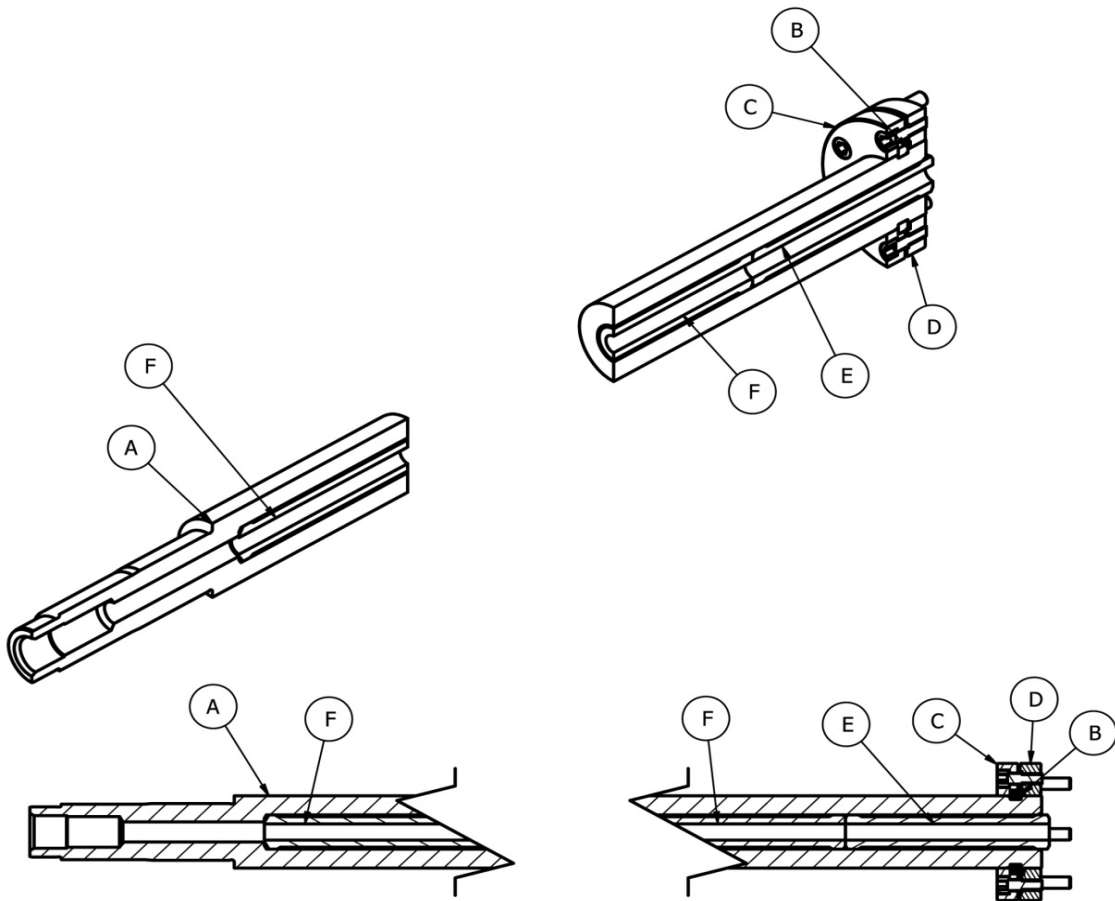


C - Ram - Clamp with Split Ring

Key	Description	Standun Part No.	OKL Part No.	New Part Price	Repair Price
A	Ram Body				
B	Split Ring, Ram Assembly		S5XXQ02A		
C	Clamp, Ram Assembly		S5XXQ03A		
D	Clamp, Ram Assembly		S5XXQ04A		
E	Filler Tube -2 , Ram Assembly		S5XXQ08A		
F	Filler Tube-1, Ram Assembly		S5XXQ09A		

C - Ram - Clamp with Split Ring



C - Ram - Flange Type

Key	Description	Standun Part No.	OKL Part No.	New Part Price	Repair Price
A	Ram Body		S322A01A		
B	Filler Tube		S322A02		
C	Filler Tube		S322A03		
D	Spacer		S322A04		
E	Filler Locking Insert		S322A05		

C - Ram - Flange Type

