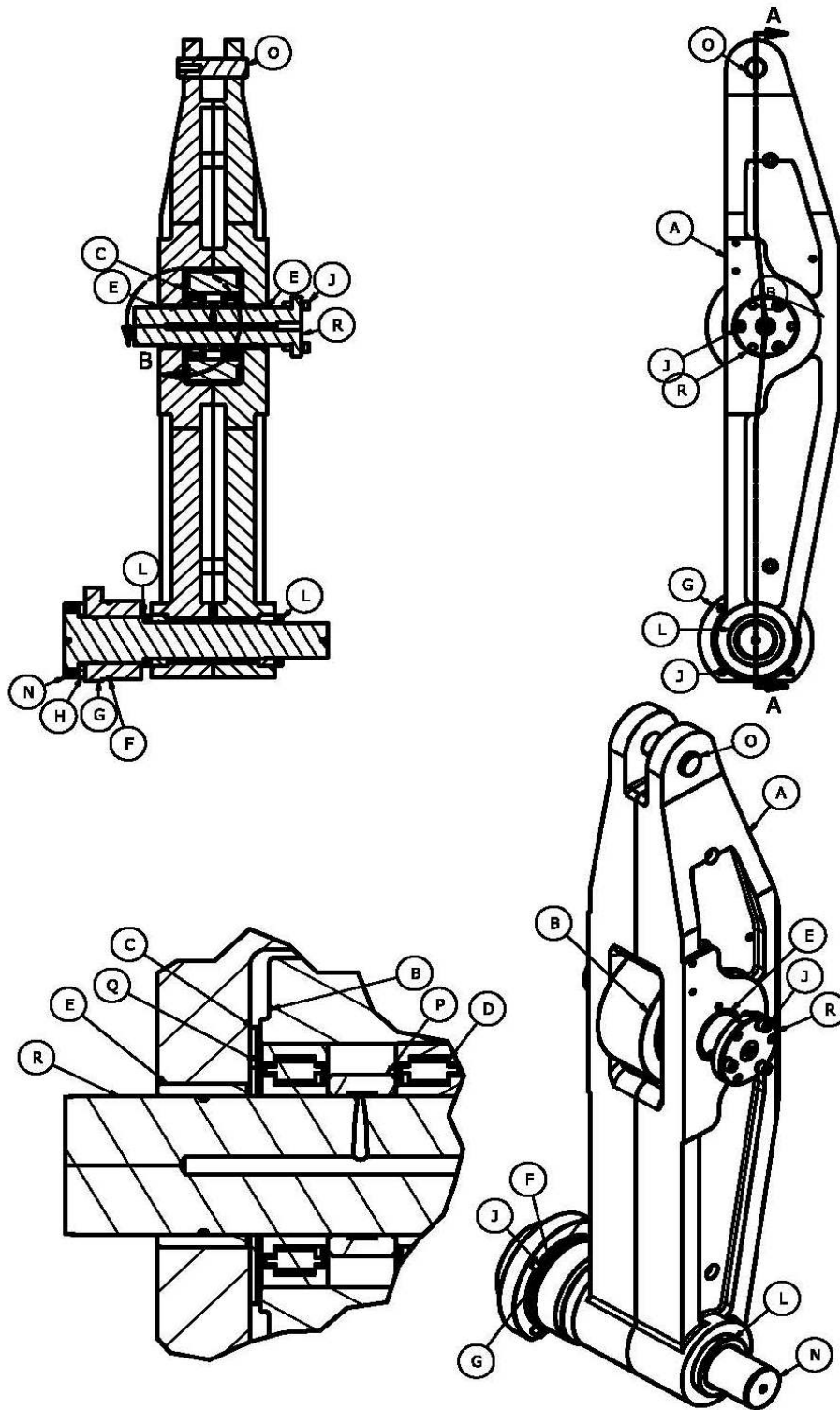


**F - Rear Hold Down Assembly**

Key	Description	Standun Part Number	OKL Part Number	New Part Price	Repair Price
<b>A</b>	Hold Down Lever / OKL Aluminum		S5XXC01A		
<b>B</b>	Cam Follower / OKL		S5XXC02D		
<b>C</b>	Thrust Washer		S5XXC03A		
<b>D</b>	Bearing / OKL		S5XXC04D		
<b>E</b>	Bearing / Bronze 2.375 O.D.		S5XXC05B		
<b>F</b>	O-Ring / Viton 2-242				
<b>G</b>	Holder		S5XXC09A		
<b>H</b>	Spacer		S5XXC10A		
<b>J</b>	SHCS / .312-18 X 1.00 Lg.				
<b>K</b>	Washer / .312 Belleville				
<b>L</b>	Bushing / Bronze		S5XXC13A		
<b>M</b>	O-Ring / 2-141 Viton				
<b>N</b>	Shaft / Lower Pivot		S5XXC15A		
<b>O</b>	Pin / Top Connection		S5XXC16A		
<b>P</b>	Spacer / Ring		S5XXC17C		
<b>Q</b>	Dowel Pin / .25 Dia. X 0.75				
<b>R</b>	Shaft / Cam Follower		S5XXC19A		

### F - Rear Hold Down Assembly



**F - Rear Hold Down Surge Tank**

Key	Description	OKL Part No.	New Part Price	Repair Price
<b>A</b>	Surge Tank	S5XXF01A		
<b>B</b>	Adapter Plate	S5XXF02A		
<b>C</b>	Actuator Housing	S5XXF03A		
<b>D</b>	Clevis Extension	S5XXF04A		
<b>E</b>	Clevis	S5XXF05A		
<b>F</b>	Splash Guard	S5XXF06A		
<b>G</b>	shcs .625-11 x 1.75 lg			
<b>H</b>	Schnoor 16.0			
<b>J</b>	shcs .375-16 x 1.25 lg			
<b>K</b>	Schnoor S10			
<b>L</b>	shcs .312-18 x 1.00 lg			
<b>M</b>	Schnoor 8.00			
<b>N</b>	Air Bag	S5XXF15A		
<b>O</b>	O-Ring 2-244 Viton			
<b>P</b>	O-Ring 2-234 Viton			

## F - Rear Hold Down Surge Tank

