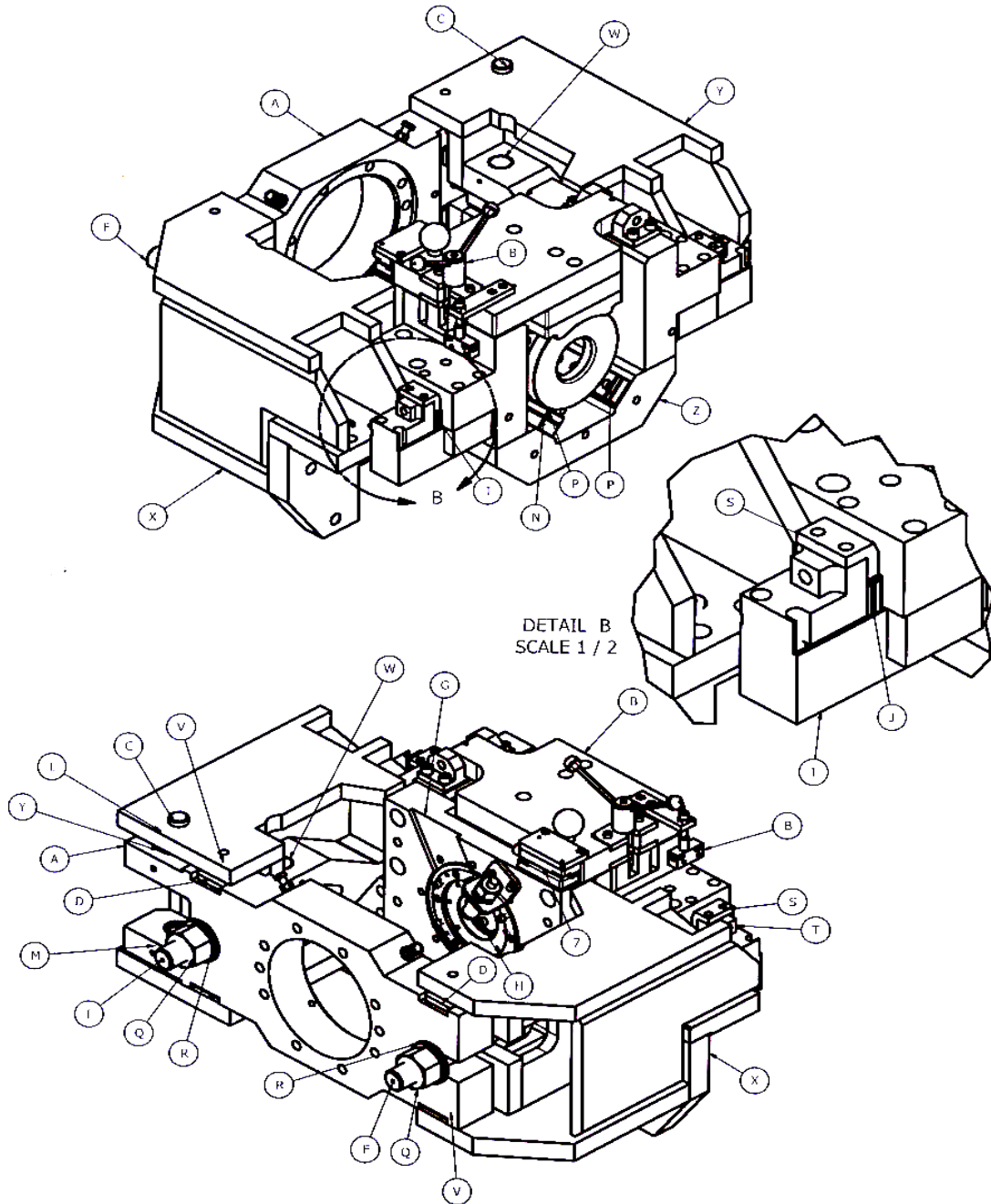


## J - Tool Housing Assembly

| Key | Description                         | Standun Part No. | OKL Part No. | New Part Price | Repair Price |
|-----|-------------------------------------|------------------|--------------|----------------|--------------|
| A   | Domer Door                          |                  | S5XXG01A     |                |              |
| B   | Lid Assembly                        |                  | *            |                |              |
| C   | Hinge Pin, Tool Housing             |                  | S5XXG03A     |                |              |
| D   | Wear Plate, Top/Bottom              |                  | S5XXG04A     |                |              |
| E   | Wear Plate, Side <i>(Not Shown)</i> |                  | S5XXG05A     |                |              |
| G   | Bolster Plate, Tool Housing         |                  | *            |                |              |
| H   | Wear Plate / Stripper Assembly      |                  | *            |                |              |
| J   | Insert Key, Tool Housing            |                  | *            |                |              |
| K   | Spacer, Front 19" on 24" Frame      |                  | *            |                |              |
| L   | Thrust Washer, Top                  |                  | S5XXG22A     |                |              |
| M   | Thrust Washer, Bottom               |                  | S5XXG23A     |                |              |
| N   | Shim, Tooling Rail                  |                  | *            |                |              |
| P   | Tooling Rail                        |                  | *            |                |              |
| Q   | Hex Nut 1.25-7                      |                  | S5XXG37A     |                |              |
| *   | Redraw Ring                         |                  |              |                |              |
| R   | Flat Washer                         |                  | S5XXG42A     |                |              |
| S   | Register Block                      |                  | *            |                |              |
| T   | Register Block, 19" on 24" Frame    |                  |              |                |              |
|     | Operator Side                       |                  | *            |                |              |
| U   | Register Block, 19" on 24" Frame    |                  |              |                |              |
|     | Drive Side <i>(Not Shown)</i>       |                  | *            |                |              |
| V   | Rest Button                         |                  | S5XXG49A     |                |              |
| W   | Pin, Swing Bolt                     |                  | S5XXG61A     |                |              |
| *   | Stripper Spacer                     |                  | *            |                |              |
| X   | Support Arm OKL Design 24-inch      |                  | *            |                |              |
| Y   | Support Arm OKL Design 24-inch      |                  | *            |                |              |
| Z   | Tool Cradle OKL Design              |                  | *            |                |              |

## J - Tool Housing Assembly



**J - Tool Housing Assembly Parts**

| Key      | Description                      | Standun Part No. | OKL Part No. | New Part Price | Repair Price |
|----------|----------------------------------|------------------|--------------|----------------|--------------|
| <b>A</b> | Support Rail (tool pack)         | 255872           | S5XXG01A     |                | -            |
| <b>B</b> | Support Spacer (0.235 thick)     | 255873           | S5XXG02A     |                | -            |
| <b>C</b> | Support Rail Spacer (1.23 thick) | 260861           | S5XXG02B     |                | -            |
| <b>D</b> | Wear Plate - B5 or B6            | 704006           | S5XXG10A     |                | -            |

## J - Tool Housing Assembly Parts

