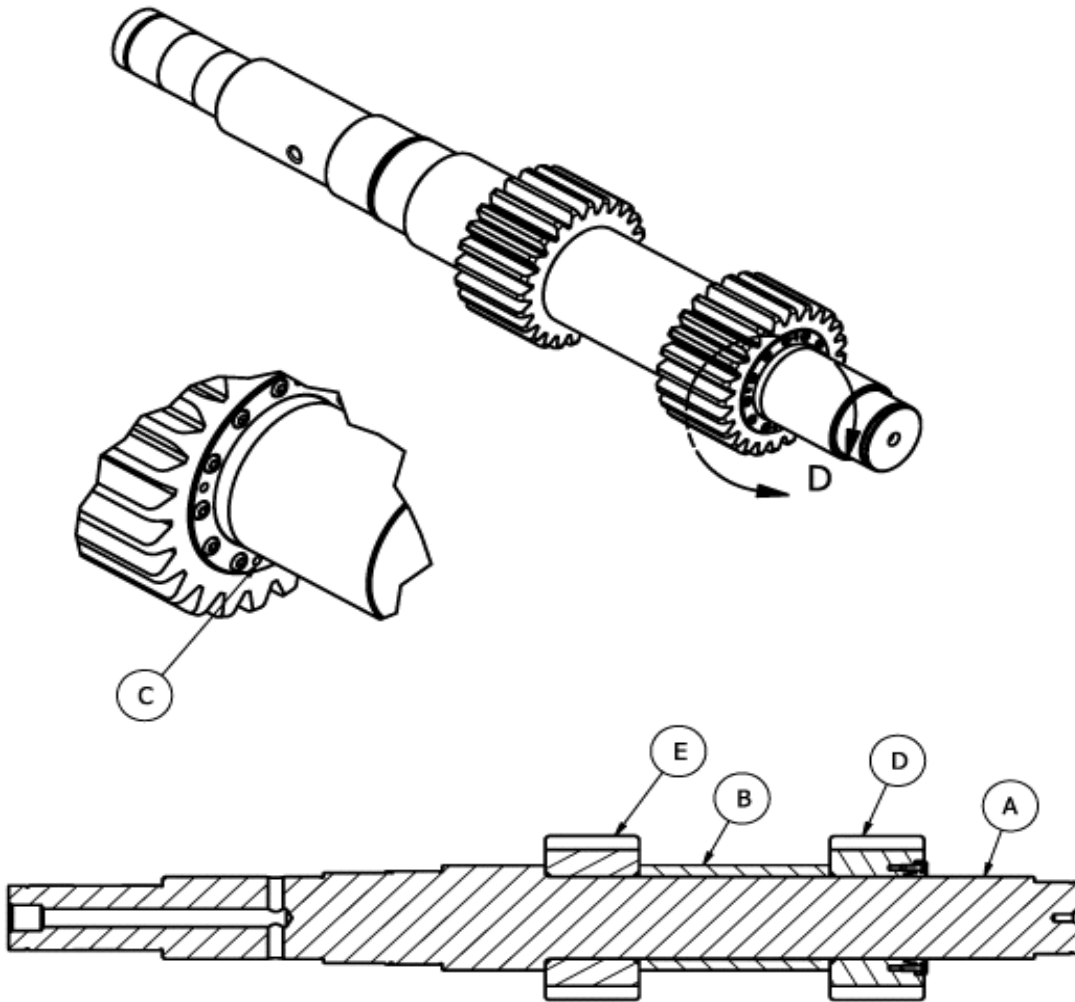


**L - Jack Shaft Assembly**

Key	Description	Standun Part No.	OKL Part No.	New Part Price	Repair Price
<b>A</b>	Standun, Jack Shaft B5 With Removable Gears (Eaton DCB21)		S5XXH55D		
<b>B</b>	Standun, Spacer-Pinion Jackshaft		S5XXH54A		
<b>C</b>	Standun, Taper Lock, Pinion on jackshaft		S5XXH53A		
<b>D</b>	Standun, Pinion - Operator Side		S5XXH52		
<b>E</b>	Standun, Pinion - Drive Side		S5XXH51		

## L - Jack Shaft Assembly



## L - Jack Shaft Assembly

Key	Description	Standun Part No.	OKL Part No.	New Part Price	Repair Price
<b>A</b>	Jackshaft, Double Helical Pinion Face For 21-DCB Clutch/Brake Eaton LA-10318 Rev E		S5XXH11B		
<b>B</b>	Standun Bearing, Jackshaft (Flywheel Side)		S5XXH12A		
<b>C</b>	Standun Bearing, Jackshaft (Operator Side)		S5XXH14A		
<b>D</b>	Standun Retainer Ring Jackshaft (Flywheel)		S5XXH15A		
<b>E</b>	Standun Retainer Ring Jackshaft (Operator)		S5XXH16A		
<b>F</b>	Standun Retainer Ring Jackshaft (Operator )		S5XXH16A		

## L - Jack Shaft Assembly

