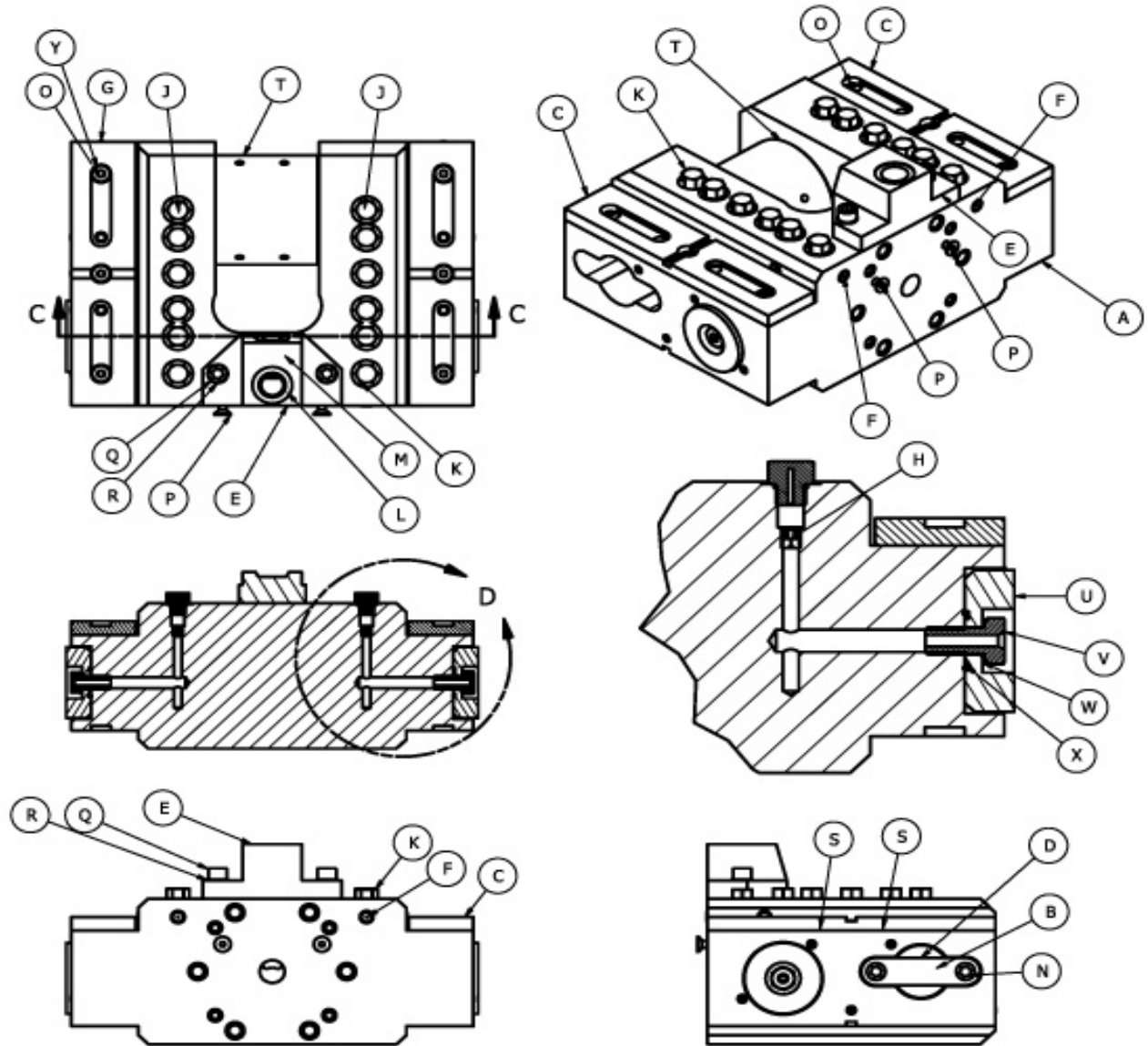


Q - Slide Yoke Assembly - Top Pads Only

Key	Description	Standun Part No.	OKL Part Number	New Part Price	Repair Price
A	Standun, Slide Yoke (Top Pad Only)		S5XXJ02A		
B	Standun, Pin Yoke (Slide Yoke)		S5XXJ03A		
C	Standun, Slide Yoke Hydraulic (Aluminum)		S5XXJ04A		
D	Standun, Clamp Slide Yoke		S5XXJ05A		
E	Standun, Manifold Block (Slide Yoke)		S5XXJ06A		
F	Lee Plug, Aluminum / .3437" Dia.		Fit0032		
G	Lee Plug, 7/32" Dia.		Q0540		
H	Standun, Jet 0.022 Dia. (For Slide Yoke)		S5XXJ10A		
J	Standun, Jet 0.026 Dia. (For Slide Yoke)		S5XXJ11A		
K	Standun, Hex Plug 3/8-24 (For Slide Yoke)		S5XXJ12A		
L	O-Ring				
M	O-Ring				
N	SHCS .312-18 x 3.00 Lg.				
O	BHSC .25-20 x 0.5 Lg.				
P	FHCS #10-24 x 0.50 Lg.				
Q	SHCS .312-18 x 1.00 Lg.				
R	Schnorr 8.00				
S	O-Ring				
T	Standun, Bushing (Slide Yoke)		S5XXJ21A		
U	Standun, Hdrustatic Pad (Side)		S5XXJ22A		
V	Standun, Hydrostatic Pad (Slide Yoke)		S5XXJ23A		
W	Loc-Washer				
X	O-Ring				
Y	Loc-Washer				

Q - Slide Yoke Assembly - Top Pads Only



Q - Slide Yoke Assembly - Stage 8

Key	Description	Standun Part No.	OKL Part No.	New Part Price	Repair Price
A	Snap ring		FIT0033		
B	Slide Yoke Body / Standun		S6XXJ02A		
C	Pin Slide Yoke / Standun		S6XXJ03A		
D	Wear Pad / Top / Standun		S6XXJ28A		
E	Wear Pad / Bottom / Slide Yoke		S6XXJ29A		
F	Manifold / Slide Yoke / Air - Oil / B6		S6XXJ06A		
G	Washer / Slide Yoke / Standun		S6XXJ31A		
H	Lee Jet 0,022 dia.		S5XXJ10A		
J	Lee Jet 0.026 dia.		S5XXJ11A		
K	Lee Plug		FIT0159		
L	Lee Plug		Q0540		
M	Hex Plug / Standun		S5XXJ12A		
N	O-Ring				
O	O-Ring				
P	Retainer / Slide Yoke / Stage 8 / Standun		S6XXJ32A		
Q	BHCS / .25-20 X 0.5 Lg.				
R	Nut / Slide Yoke / Stage 8 / Standun		S6XXJ33A		
S	Washer-Lock / .312				
T	HHCS / .312-18 X 1.00				
U	O-Ring				
V	Bushing / Slide Yoke / Standun		S5XXJ21A		
W	Pad Holder / Hydrostatic / Side		S5XXJ22A		
X	Pad Holder / Hydrostatic / Slide Yoke		S5XXJ23A		
Y	Schnoor S10				
Z	O-Ring				
AA	Schnoor Washer				
AB	Screen		FIT0229		

Q - Slide Yoke Assembly - Stage 8

