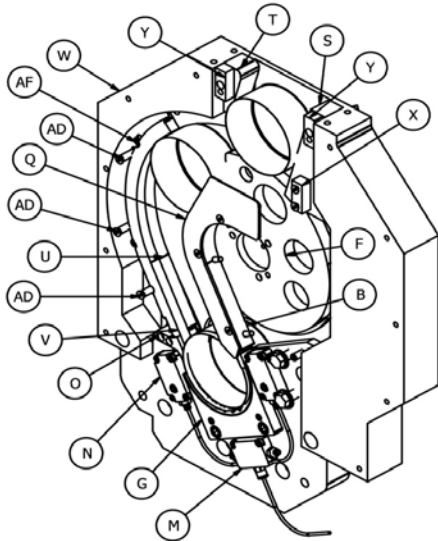
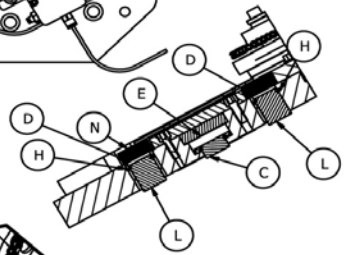
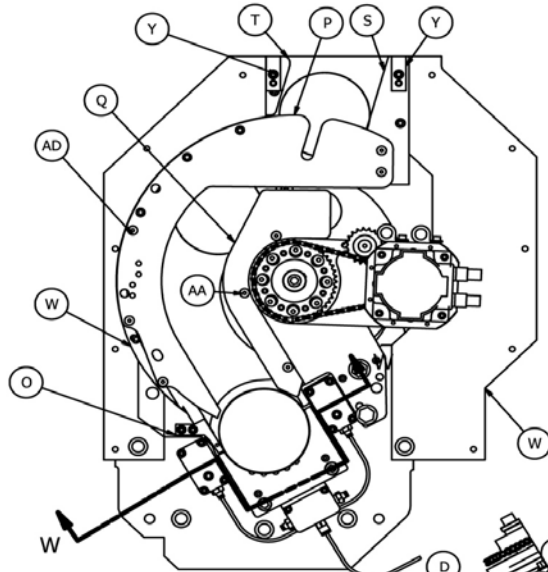
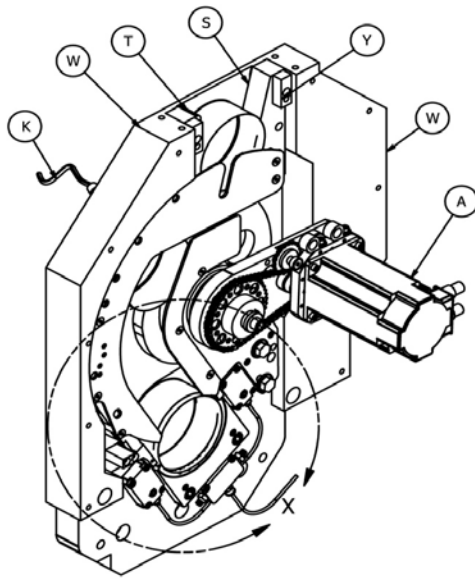


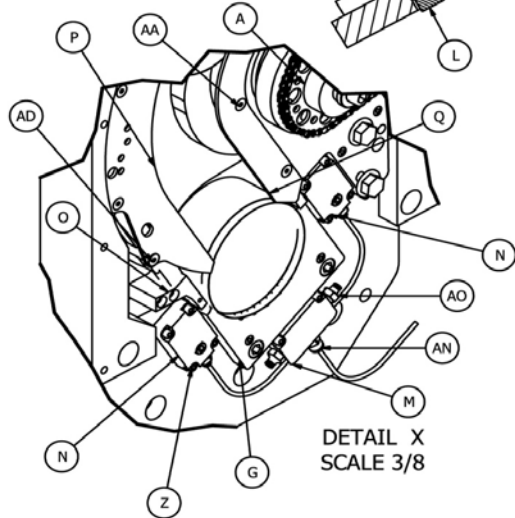
S - Servo Driven Cup Feed Assembly

Key	Description	Standun Part No.	OKL Part Number	New Part Price	Repair Price
A	Sub Assembly		RCFGEN4-ASS'Y		
B	Inner Guide 3.940 X 1.65 Tall / RCF		R0006TTT		
C	Piston w/Set Screw / B 5 Standun		R0108C		
D	Side Piston Gasket / Rev-A		R0115		
E	Bottom Piston Gasket		R0116		
F	Cam 3.94 Cuo O.D./ RCF		R0301T		
G	Cup Locator 3.957 O.D. / RCF		R0325TTT		
H	Piston O-Ring / High Pressure		R2056		
J	Proximity Switch / Sourcing		R5391		
K	Female Plug / 3/4 Wire DC / Straight		R5392		
L	Side Piston / B 5 Standun		S5XXR106A		
M	Bottom Piston Retainer		S5XXR109A		
N	Side Piston Retainer		S5XXR110A		
O	Wear Pad 3.957 O.D. X 1.65/ Tall Cup	B5	S5XXR117W		
P	Outer Retainer 3.957 O.D. X 1.65 Tall Cup	B5	S5XXR310W		
Q	Inner Ret.& Guide 3.957 O.D. X 1.65 Tall Cup	B5	S5XXR315W		
R	Stand Off Block / 1.62 Lg. / 1.65 Tall Cup	B5	S5XXR330W		
S	Stand Off Block / 3.957 O.D. X 1.65 Tall Cup	B5	S5XXR335W		
T	Stand Off Block / 1.125 Tall Cup	B5	S5XXR338A		
U	Outer Guide / 3.957 O.D. X 1.65 Tall Cup	B5	S5XXR340W		
V	Brush Ass'y / 3.957 O.D. X 1.65 Tall Cup	B5	S5XXR342W		
W	Back Plate OKL Cup Feed	B5	S5XXR345A		
X	Spacer Outer Retainer / 3.957 O.D. X 1.65	B5	S5XXR346W		
Y	Cyl. Mt Spacer Outer Retainer / 3.957 X 1.65	B5	S5XXR347W		
A	SHCS # 8-32 X 0.5 Lg.				
AA	FHCS # 10-32 X .75 Lg.				
AB	FHCS # 10-32 X 1.00 Lg.				
AC	SHCS # 10-32 X 1.25 Lg.				
AD	FHCS # 10-32 X 1.75 Lg.				
AE	SHCS .25-20 X 0.625 Lg.				
AF	SHCS .25-20 X 1.00 Lg.				
AG	SHCS .25-28 X 0.75 Lg.,				
AH	SHCS .375-24 X 1.00 Lg.				
AJ	HHCS .437-20 X 1.00 Lg.				
AK	HHCS .437-20 X 1.50 Lg.				
AL	Washer .137 SAE				
AM	Pull Down / .3125 X 1.00 Lg.				
AN	1/4 Push To Connect Fitting		FIT0008		
AO	1/8 Push To Connect Fitting		FIT0028		
AP			FIT0132		
AQ	Tube / 1/8" O.D.		L0010-6		
AR	3.957 O.D. X 1.65 Tall Cup		REF		

S - Servo Driven Cup Feed Assembly



Some top level parts have been removed for clear view of hidden parts



DETAIL X
SCALE 3/8

SECTION W-W
SCALE 1 / 4

S - Servo Driven Rotary Cup Feed Assembly

Key	Description	Standun Part No.	OKL Part No.	New Part Price	Repair Price
A	Flexible Coupling		SXXXN61		
B	Coupling Mount		SXXXR54B		
C	6 mm X 3/4" Key		SXXXR57		
D	Motor		SXXXR61		
E	5:1 Gear Box		SXXXR70A		
F	Isolator Mounting Bracket Ass'y.		SXXXR72		
G	Proximity Switch		R5390		
H	SHCS 1/4-28 X 1-1/2" Lg.		SHCS 1/4-28 X 1-1/2" Lg.		
J	Washer, Lock 1/4" I.D.		Washer, Lock .250 Lg.		
K	Cam Mount		SXXX1 Ref.		
L	Cam		Cam Ref.		

