

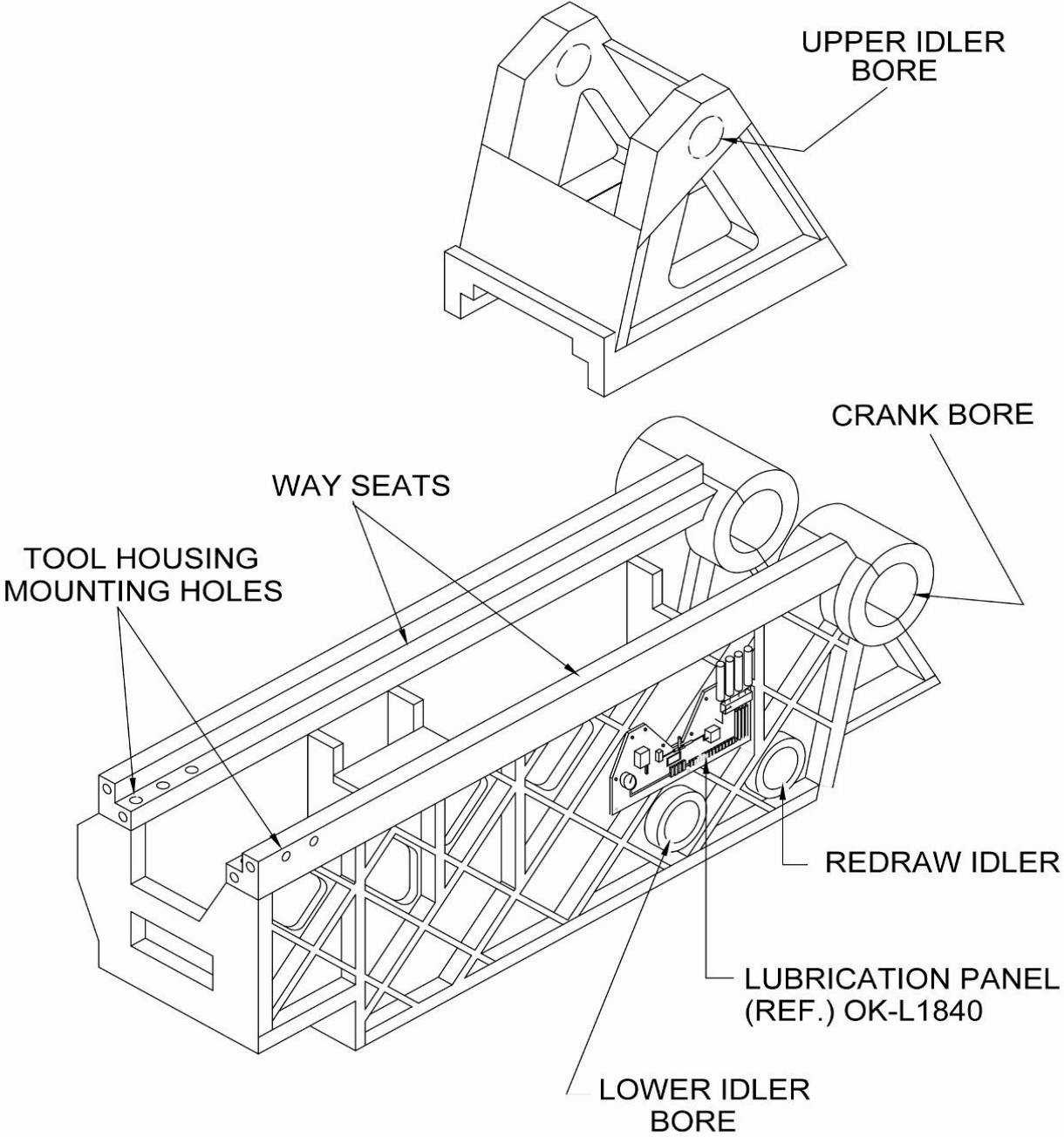
## A - Main Frame

Main Frame Rework	Price
Strip, Dip, and Paint	
Inspect Way Seats	
Re-machine Way Seats	
Re-bore Crank Bores	
Sleeve & Re-bore Bearing Cartridge Bores (as needed)	
Repair Tool Housing Mounting Holes	
Standard Main Frame Rework	
Modify Crank Cover for F-B-R Lube Linkage (As needed)	
Modify Main Frame for Disc Brake Assembly (As needed)	
With APMA Modification (As needed)	

New Fabrications	Price
Main Frame (new)	Call for Quote
A-Frame (new)	Call for Quote

Used and Reworked Fabrications	Price
Main Frame - (Used)	Call for Quote
A-Frame - (Used)	Call for Quote

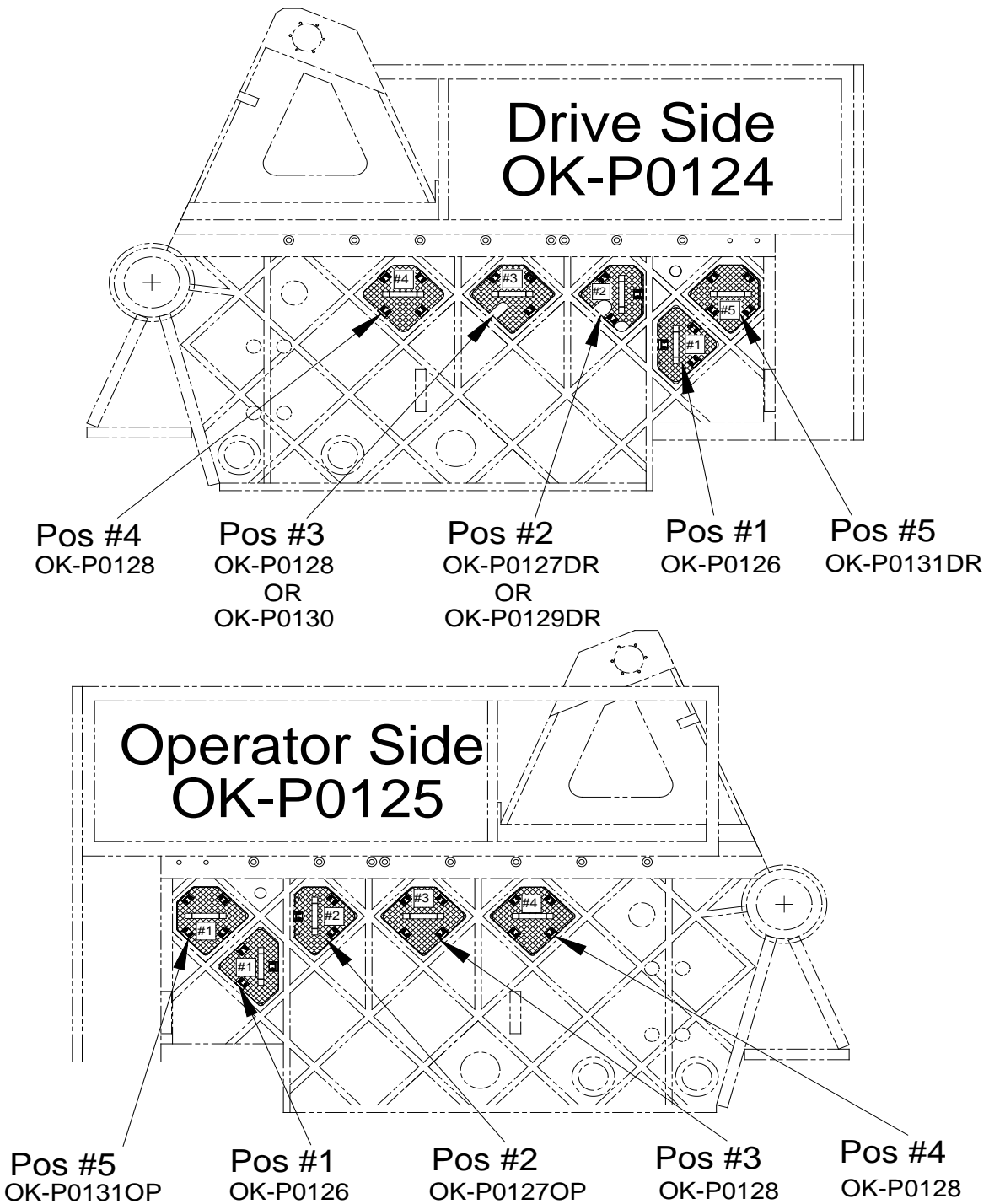
# Main and "A" Frame



## Main Frame 'Diamond' Guards

Description	OKL Part No.	Price
Bodymaker Diamond Guard Assembly (Drive Side)	OK-P0124	
- Pos #1	OK-P0126	
- Pos # 2	OK-P0127DR OR OK-P0129DR	
- Pos #3	OK-P0128 OR OK-P0130	
- Pos #4	OK-P0128	
- Pos #5	OK-P0131DR	
Bodymaker Diamond Guard Assembly (Operator Side)	OK-P0125	
- Pos #1	OK-P0126	
- Pos #2	OK-P0127OP	
- Pos #3	OK-P0128	
- Pos #4	OK-P0128	
- Pos #5	OK-P0131OP	

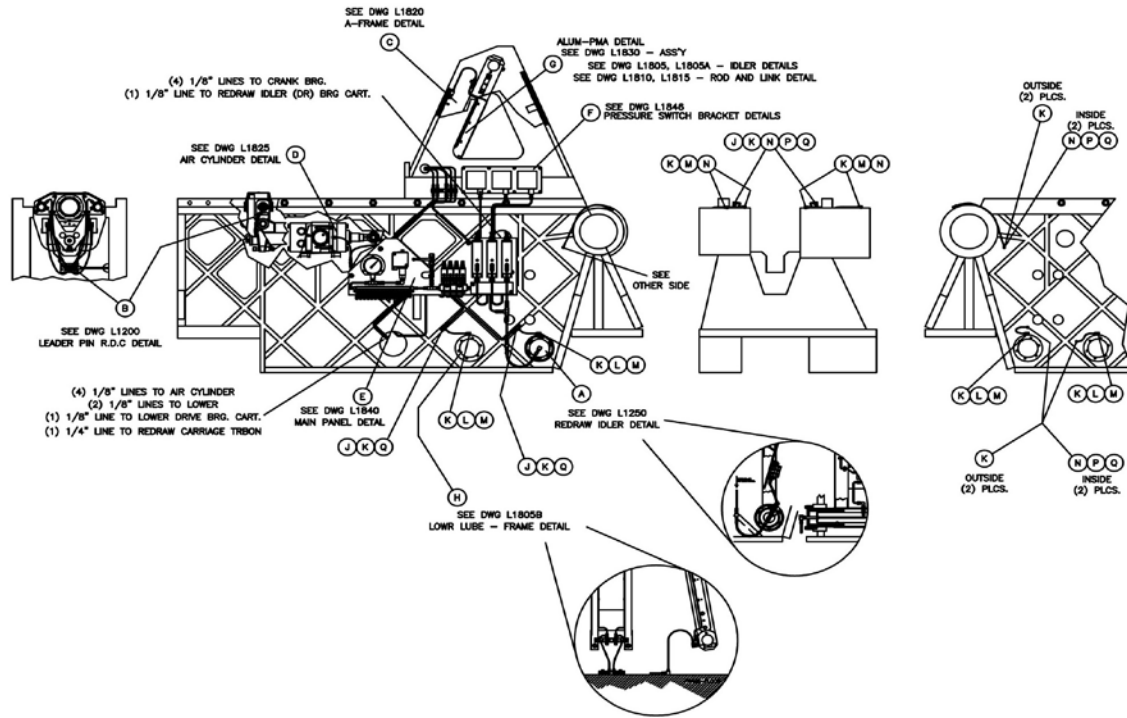
## Main Frame 'Diamond' Guards



## Main Frame Lubrication Assembly

Key	Description	OEM Part No.	OKL Part No.	New Part Price	Repair Price
	<b>Call For Pricing &amp; Main Frame Lubrication Options</b>				

# Main Frame Lubrication Assembly

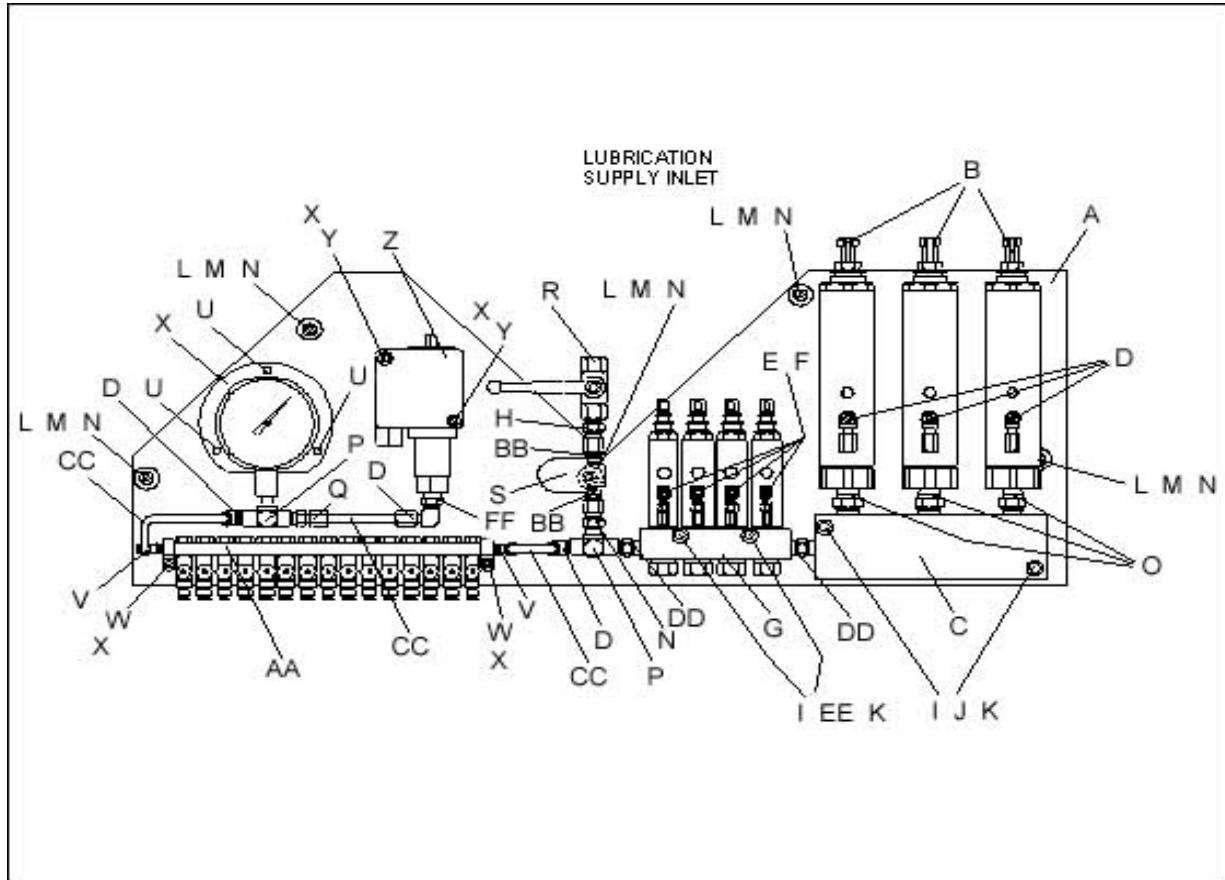


Panel

**Main Frame Lube Panel**

Item	Description	OKL Part No	Price
A	Lube Panel Plate	OK-L0078	
B	Injector (FL-45)	OK-L0025	
B	Oil Injector, 3-port (FL-44)	OK-L0026	
B	Oil Injector, 15 port (FL-42)	OK-L0027	
B	Repair Kit - FL44 (Lincoln or Farval)	OK-L0028	
B	Repair Kit - FL45	OK-L0029	
B	Replacement - FL42	OK-L0030	
C	Manifold For SL-11 (3-out)	OK-L0050	
D	Fitting - 90 Deg 1/4 npt to 1/4 o.d. compression	-	
E	Fitting - 90 Deg 1/8 npt to 1/8 npt	-	
F	Fitting 1/8 npt to 1/8 o.d. compression	-	
G	Injector Bank, SL-44 (4)	OK-L0066	
H	Adaptor Nipple 1/4 npt to 1/4 npt	FIT0074	
I	SHCS 3/8-16 x 2 1/2" lg.	-	
J	Stand Off	OK-L0052	
K	Lockwasher - 3/8"	-	
L	SHCS 5/15-18 x 5" lg.	-	
M	Stand Off	OK-L0049	
N	Lockwasher - 5/16"	-	
O	Adaptor Nipple 1/2 npt to 1/2 npt	FIT0023	
P	T' Fitting 1/4 npt	FIT0073	
Q	Fitting 1/4 npt to 1/4 o.d. compression	FIT0072	
R	Ball Valve - 1/4 npt	OK-L0007	
S	Solenoid Valve 1/4 npt	OK-L0006	
T	Pressure Gage (0-3000 psi)	OK-L0450	
U	Screw #10-24 x 3/8" lg.	FIT0083	
V	Fitting - 90 Deg 1/8 npt to 1/4 o.d. compression	FIT0005	
W	SHCS 1/4-20 x 3/4" lg.	-	
X	Lockwasher - 1/4"	-	
Y	SHCS 1/4-20 1 1/2" lg.	-	
Z	Pressure Switch	OK-K0530	
AA	Injector Bank - SL42 (15 out)	83311-15	
BB	Swivel 1/4 npt to 3/8 npt	-	
CC	1/4" hydraulic tubing	1/4" HYD TUBING	
DD	Adaptor Nipple 1/4 npt to 3/8 npt	-	
EE	Standoff	OK-L0051	
FF	Adaptor 3/8 to 1/4	-	
	<b>Repair Kits</b>		
	<b>FL - 45 Farval</b>	<b>L0029</b>	
	<b>SL - 11 Farval</b>	<b>L0004</b>	
	<b>SL - 42 Farval</b>	<b>L0001</b>	
	<b>FL - 44 Farval</b>	<b>L0028</b>	
	<b>SL - 44 Lincoln</b>	<b>L0003</b>	
	<b>SL - 43 Lincoln</b>	<b>L0002</b>	

# Main Frame Lube Panel





## *Isolator Mountings*

<b>Main Isolator Assembly (OK-P0052)</b>	
------------------------------------------	--

Key	Qty	Description	OKL Part No.	New Part Price Each
A	2	Vibra Front Mounting Bracket	OK-P0053	
B	2	Vibra Rear Mounting Bracket	OK-P0054	
C	1	Front Impact Plate	OK-P0055	
D	14	Bumper Cover Plate	OK-P0056	
E	1	Vibra Front Spacer Plate	OK-P0057	
F	1	Rear Operator Side Spacer	OK-P0058	
G	1	Rear Driver Side Spacer	OK-P0059	
H	4	Micro / Level Isolator Assembly	OK-P0060	
I	2	Micro / Level Isolator Assembly	OK-P0061	
J	1	Micro / Level Isolator Assembly	OK-P0069	

# Isolator Mountings

