

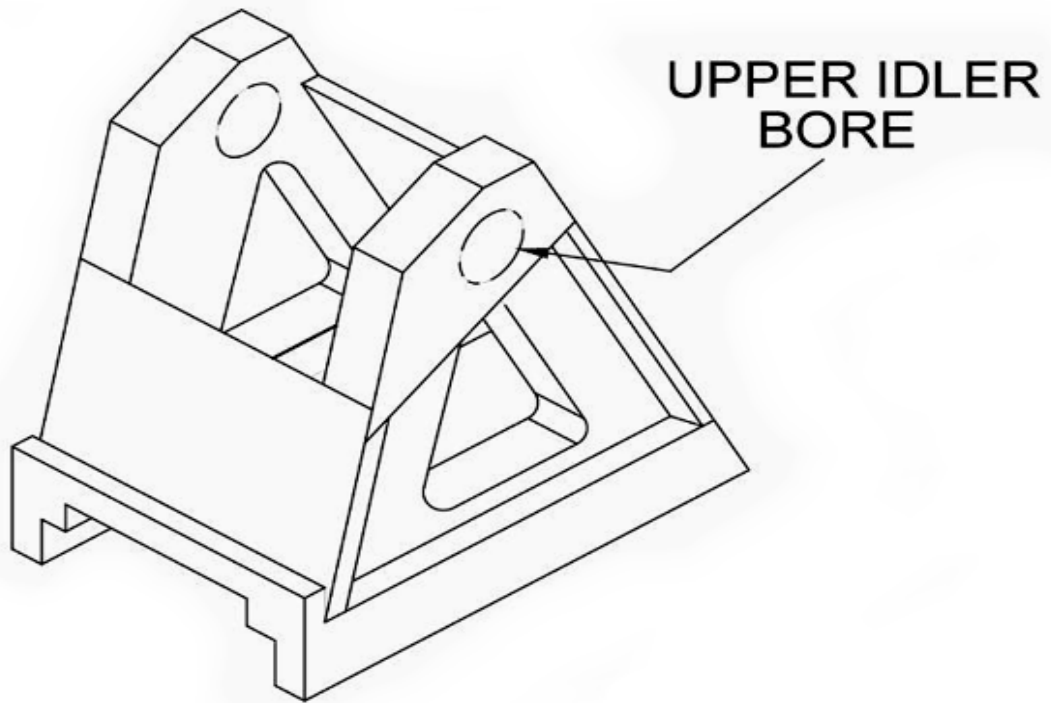
B - "A" Frame

"A" Frame Rework		Price
Standard "A" Frame Rework		

New Fabrications		Price
A-Frame (new)		Call for Quote

Used and Reworked Fabrications		Price
A-Frame - (Used)		Call for Quote

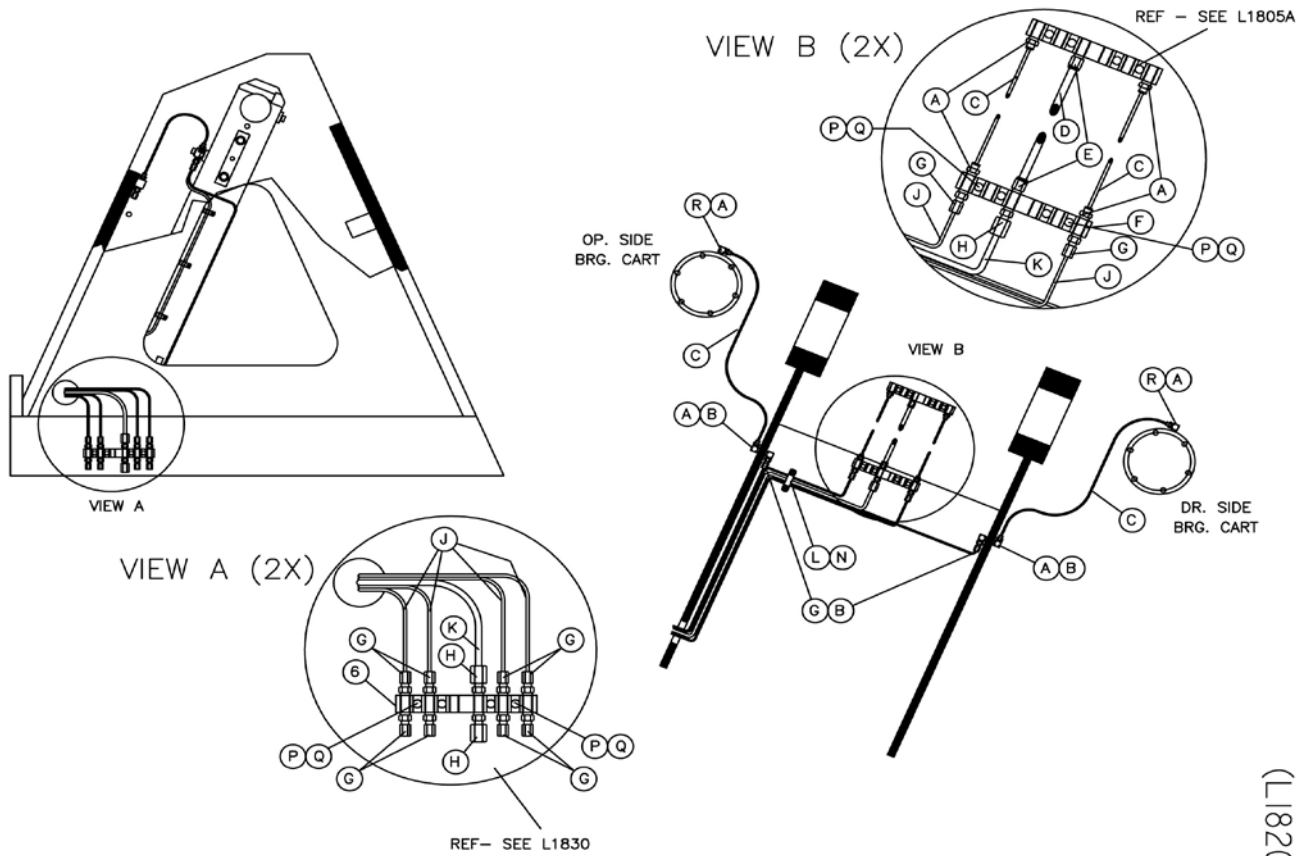
B - "A" Frame



B - "A" Frame Lubrication (LI200)

Key	Description	OEM Part No.	OKL Part No.	New Part Price	Repair Price
A	Male Connector		FIT0029		
B	Pushlock Fitting		FIT0028		
C	Line Clamp - Single				
D	8-32 x 3/8" Self Tap Screw				
E	Line Clamp - Double				
F	1/8" Polyflow Tubing		OK-L0010		
G	Divider Injection Block		OK-C1310		
H	SNCS 12-24 x 1 3/4" Lg.				
J	Lockwasher # 10				
K	Straight Connector		FIT0072		
L	1/4" Tin Coated Steel Line		Lincoln		
M	90 Degree Adapter		FIT0045		
N	Injector (Not Shown)		OK-L0025		
O	90 Degree Fiting		FIT0052		
P	"T" 1/4" NPT (Not Shown)		FIT0073		
Q	High / Low Switch (Not Shown)		OK-LP0500		
R	Lube Block		OK-L0050		

"A" Frame Lubrication



(L1820)