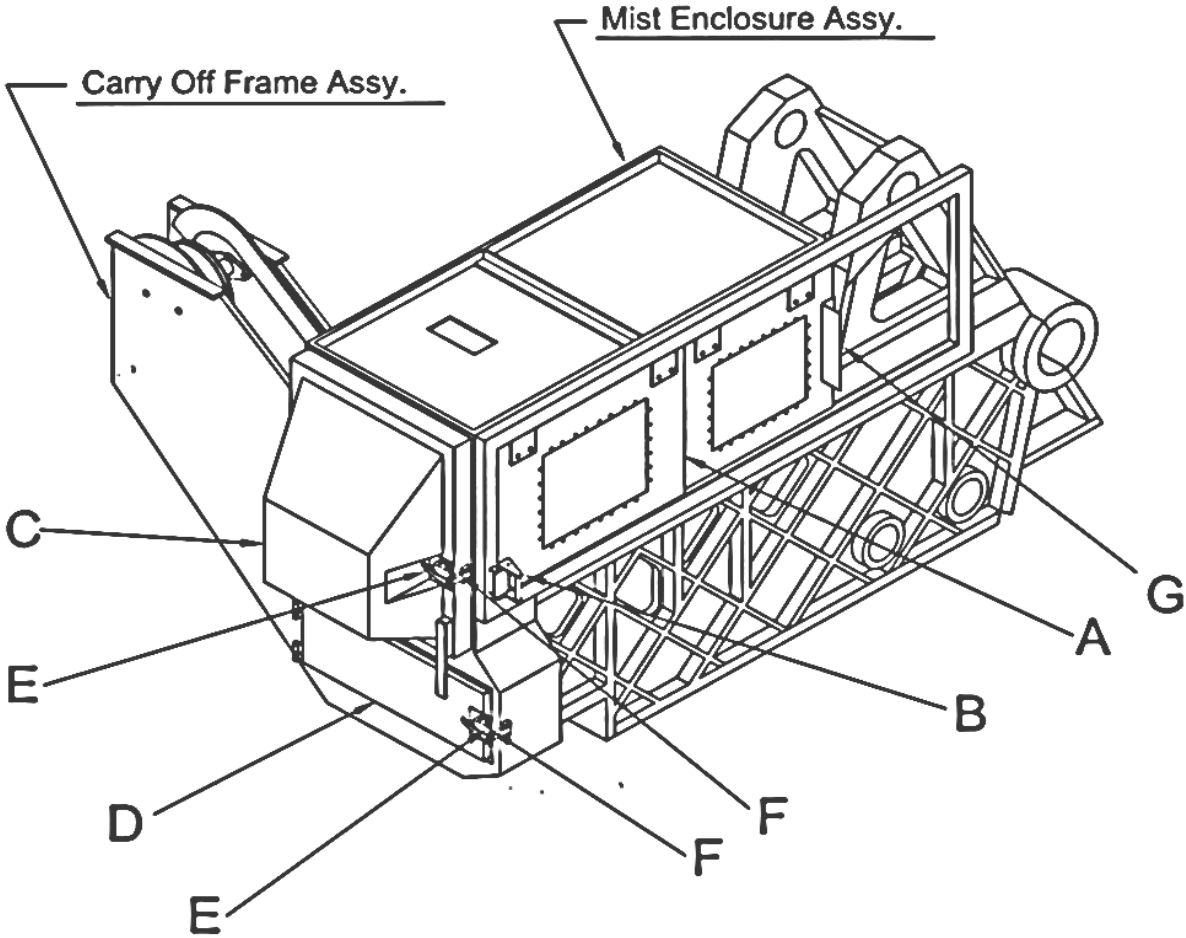


## Assembly

**C - Mist Enclosure - Standard****Stainless Steel Mist Enclosure Assembly**

Key	Description	OEM Part No.	OKL Part No.	New Part Price	Repair Price
A	Sliding Door Assembly	-	OK-K0450A		-
B	Sliding Door Handle and Brkt.	-	OK-K1090		-
C	Top Door	-	OK-K1400		-
D	Bottom Door	-	OK-K1410		-
E	Door Handle	-	OK-K1050		-
F	Door Handle Catch	-	OK-K1040		-
G					

# Mist Enclosure Assembly



NOTE: The Above Assemblies Are Available In  
Standard & Stainless Steel.....Call For Quote.

## **Mist Enclosure - Stainless Steel**

<b>Stainless Steel Mist Enclosure Assembly</b>					<b>Call for quote</b>
Complete Set of Stainless Steel Guarding - OK-K6000					Per Quote
<b>Key</b>	<b>Description</b>	<b>OEM Part No.</b>	<b>OKL Part No.</b>	<b>New Part Price</b>	<b>Repair Price</b>
	Complete Set of Stainless Steel Guarding - Bodymaker		OK-K6000	Call For Quote	Call For Quote
	Complete Set of Stainless Steel Guarding - for Belvac Trimmer		OK-K6010	Call For Quote	Call For Quote
	Complete Set of Stainless Steel Guarding - for Irwin Trimmer		OK-K6010A	Call For Quote	Call For Quote
	Stainless Steel Guarding for Trackwork Crossover Bodymaker to Trimmer		OK-K6020	Call For Quote	Call For Quote
	Installation at Customer Site of Stainless Steel Guarding		OK-K6030	Call For Quote	Call For Quote
	Safety Switch Package for Stainless Steel Guard Doors		OK-K6040	Call For Quote	-

## ***Stainless Steel Mist Enclosure***

