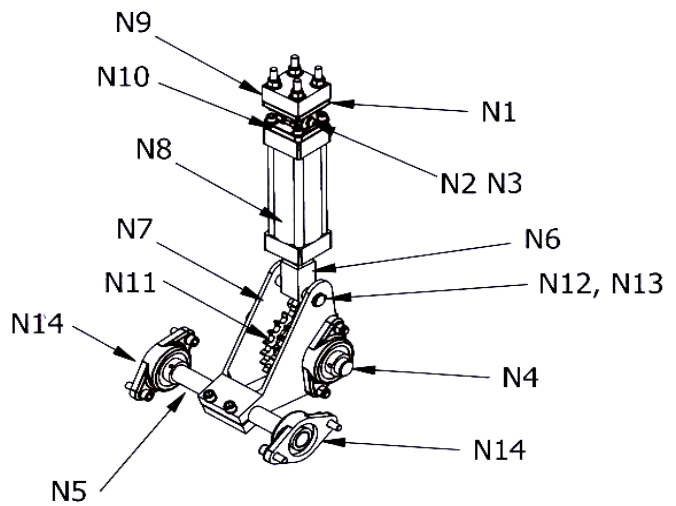
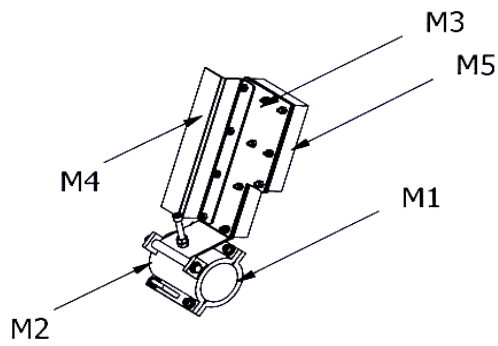
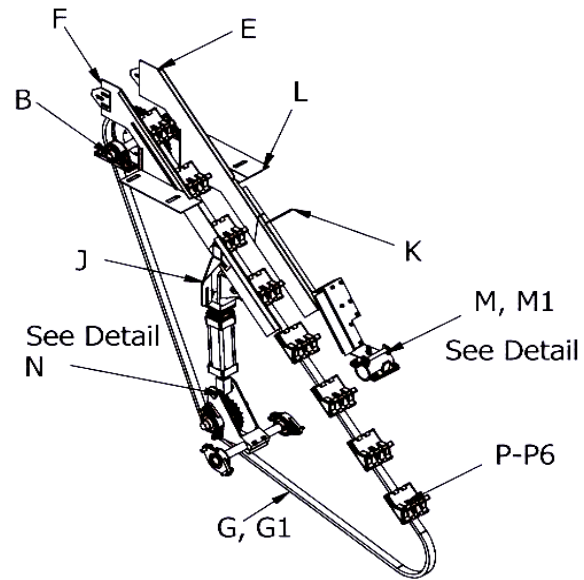
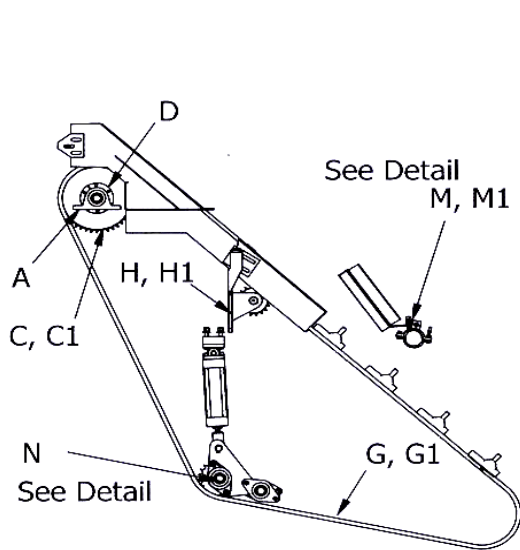


D - Unloader Assembly

Key	Description	OKL Part Number	New Part Price	Repair Price
A	1" Bore Pillow Block	OK-K0590		
B	Carry-Off Shaft	OK-K0580		
C	Top Sprocket - 42 Tooth	OK-K1422		
C-1	Top Sprocket - 60 Tooth	OK-K1423		
D	1" Taper Lock Bushing	OK-K1421		
E	Carry-Off Guide Back	OK-K0620		
F	Carry-Off Guide Front	OK-K0610		
G	Chain, lug Every 8 Links	OK-K0519		
G-1	Chain, lug Every 10 Links	OK-K0518		
H	Chain Guide Sprocket	OK-K0009		
H-1	Chain Guide, Plastic Skid	OK-P0120A, OK-P0115		
J	Front Mounting Bracket	OK-K0630		
K	Back Mounting Bracket	OK-K0629		
L	Spacer, Carry-Off Guide	OK-K0625		
M	Hold Down Brush Ass'y 2" Dia Strain Rod	OK-K1800		
M-1	Hold Down Brush Ass'y 2.38" Dia Strain Rod	OK-K1800A		
N	Tensioner Ass'y	OK-K7050		
P	Unloader Pocket 211 Dia. Yellow Urethane Snap/Bolt On	Special 46		
P-1	Unloader Pocket 211 Dia. Black Rubber Bolt On	OK-K1500		
P-2	Unloader Pocket 202 Dia. Yello Urethane Snap/Bolt On	OK-K1500A		
P-3	Unloader Pocket 211 Dia. X Black Rubber Snap On	OK-K1500B		
P-4	Unloader Pocket 300 Dia.(10-Link) Black Rubber Bolt On	OK-K1500C		
P-5	Unloader Pocket 211 or 202 Dia. X Stub Yellow Urethane Snap On	OK-K1500D		
P-6	Unloader Pocket 300 Dia. (10-Link Chain) Yellow Urethane Bolt On	OK-K1500E		
M-1	Lower Half, Unloader Brush Clamp	OK-K1810X		
M-2	Upper Half, Unloader Brush Clamp	OK-K1820X		
M-3	Brush Bracket, Unloader Brush Ass'y	OK-K1830		
M-4	Brush Bracket Handle, Unloader Ass'y	OK-K1850		
M-5	Brush, Unloader Bracket Ass'y	OK-K1840		
N-1	Frame Mount for Unloader Cylinder	OK-K0390		
N-2	Clevis Pin, Unloader Tensioner Ass'y	OK-K0391		
N-3	Snap Ring for Clevis Pin, Unloader Tensioner Ass'y	OK-K0392		
N-4	Unloader Tensioner Shaft	OK-K0560		
N-5	Unloader Pivot Shaft	OK-K0570		
N-6	Unloader, Air Cylinder Rod End	OK-K1025		
N-7	Chain Tensioner Bracket Ass'y	OK-K1110		
N-8	Chain Tensioner Cylinder	OK-K1130		
N-9	Unloader, Cylinder Spacer	OK-K1132		
N-10	Unloader, Air Cylinder Tensioner Base	OK-K1135		
N-11	Unloader, Idler Sprocket	OK-K1280		
N-12	Carry-Off Chain Tensioner Hinge Pin	OK-K1290		
N-13	Retaining Ring, 3/4" O.D. Pin	OK-K1291		
N-14	1" I.D. Flange Bearing	OK-K1430		

Unloader Assembly



Unloader Drive Assembly

Key	Description	OKL Part Number	New Part Price	Repair Price
A	Tensioner Sprocket w/ Needle Bearing	OK-K0010		
B	Gear Box	OK-K0015		
C	Gear Box Tensioner	OK-K0016		
D	Upper Bracket	OK-K0029		
E	Lower Bracket	OK-K0030		
F	Belt	OK-K0070		
G	Shaft, 18.5" - 24" Stroke	OK-K0100		
G-1	Shaft, 26.5" Stroke	OK-K0100A		
H	Seal	OK-K0370		
J	1-7/16" Bore Bushing	OK-K0370		
K	Spacer	OK-K0490		
L	Shaft Bearing	OK-K0500		
M	Tensioner, Shaft & Locking Ring	OK-K1010		
N	Bearing Case	OK-K1020		
O	Adjust, Drive Sprocket	OK-K1440		
P	Adjust, Sprocket Hub	OK-K1441		
Q	Drive Sprocket	OK-K1445		
S	3/8" x 3/8" x 3" Long key	OK-K1446		
T	1" Bore Bushing	OK-K1455		
U	Plastic Chain	OK-K1456		
V	1/4" x 1/4" x 1" Long Key	OK-K1457		
W	36 Tooth Sprocket (Crank End) for 8-Link Unloader Chain	OK-P0004A		
1-W	40 Tooth Sprocket (Crank End) for 10-Link Unloader Chain	OK-P0004D		
Y	36 Tooth Sprocket (Gear Box) for 8-Link Unloader Chain	OK-P0006A		
	32 Tooth Sprocket (Gear Box) for 10-Link Unloader Chain	OK-P0006D		
Z	3/4" Bore Bushing	OK-P0007A		

Unloader Drive Assembly

