

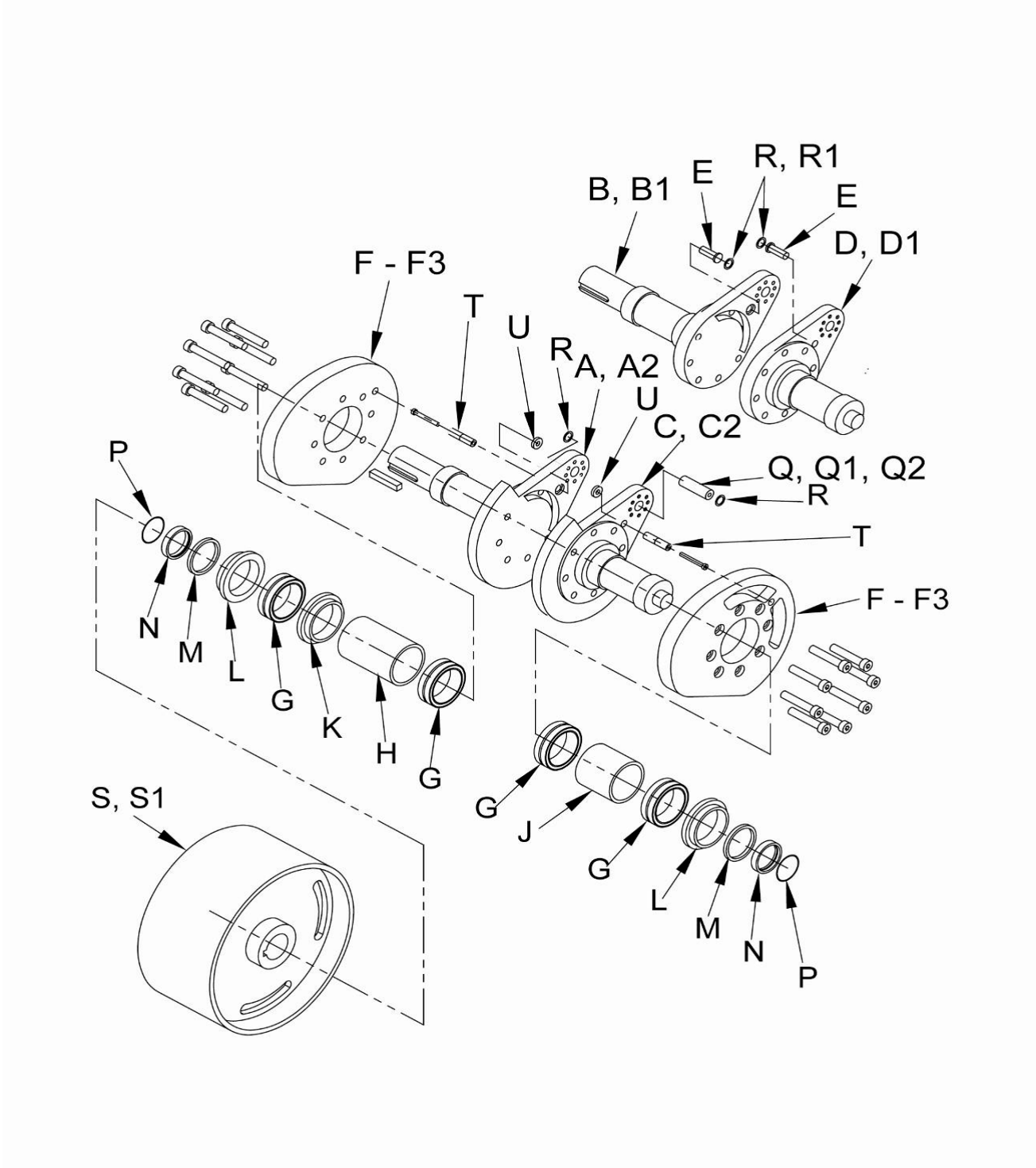
E - Crank Assembly

Assembly	
Includes New Cranks, Redraw Cams, Brake Drum, and all bearings and seals.	

Key	Description	OEM Part No.	OKL Part No.	New Part Price	Repair Price
A	Crankshaft, Long - 18-1/2" - 1" Pin	112966	OK-H2200		
	Crankshaft, Long - 18-1/2" - 1-1/4" Pin		OK-H2200A		
A1	Crankshaft, Long - 21" - 1" Pin	112982	OK-H3600		
	Crankshaft, Long - 21" - 1-1/4" Pin		OK-H3600A		
A2	Crankshaft, Long - 20"	102104	OK-H0000		
B	Crankshaft, Long - 24" - 1" Pin	113066	OK-H0110		
	Crankshaft, Long - 24" - 1-1/4" Pin		OK-H0110A		
B1	Crankshaft, Long - 26-1/2" - 1" Pin	114525	OK-H0310		
	Crankshaft, Long - 26-1/2" - 1-1/4" Pin		OK-H0310A		
C	Crankshaft, Short - 18-1/2" - 1" Pin	112965	OK-H2300		
	Crankshaft, Short - 18-1/2" - 1-1/4" Pin		OK-H2300A		
C1	Crankshaft, Short - 21" - 1" Pin	112979	OK-H3500		
	Crankshaft, Short - 21" - 1-1/4" Pin		OK-H3500A		
C2	Crankshaft, Short - 20"	102105	OK-H0001		
D	Crankshaft, Short - 24" - 1" Pin	113022	OK-H0210		
	Crankshaft, Short - 24" - 1-1/4" Pin		OK-H0210A		
D1	Crankshaft, Short - 26-1/2" - 1" Pin	114526	OK-H0410		
	Crankshaft, Short - 26-1/2" - 1-1/4" Pin		OK-H0410A		
E	Cam Loc. Pin -24" & 26-1/2"	114514	OK-H1800		
F	Cam, Redraw - 6 th Gen/Set	113103/4	OK-H1100		
F1	Cam, Redraw - 7 th Gen/Set	112298/9	OK-H1400		
F2	Cam, 20"/Set	-	OK-H1401		
F3	Reconditioned Set of Cams (without Trade-In)		Special 81		
G	Crank Bearing	700110	OK-H2400		
H	Crank Spacer - Long	114511	OK-H0600		
J	Crank Spacer - Short	114513	OK-H0700		
K	Crank Loc. Ring (Oil Seal NOT Required)	114508	OK-H0900		
L	Crank Loc. Ring (Oil Seal Req. NOT Included)	114507	OK-H1000		
M	Oil Seal	770210	OK-H2500		
N	Spacer, Outboard	112102	OK-H0800		
P	O-Ring	770940	OK-H2600		
Q	Crank Pin - 1" Diameter	108154	OK-H1500		
Q1	Crank Pin - 1.25" Diameter		OK-H1550		
Q2	SNK Crank Pin = 38 mm		OK-H1551		
R	Snap Ring - 1" Pin	770030	OK-H2700		
R1	Snap Ring - 1.25" Pin	-	OK-H1560		
R2	SNK Snap Ring		OK-H1552		
S	Brake Drum	-	OK-H0500		
S1	Disc Brake Drum		OK-H0510		
T	Cam Loc. Pin - 18-1/2", 20", & 21"	103328	OK-H1900		
U	Button Nut (For use with OK-H1900)	103407	OK-H1700		
V	Crank Key	-	OK-H3700		

Call for SNK Style Crankshaft Pricing.

Crank Assembly



Crank Assembly - Rework Options

Key	Rework Options	Price
A	Replace Teardrop - Long 18.5"	Call for quote
A1	Replace Teardrop - Long 20", 21", 24", 26.5"	Call for quote
A2	Replace Teardrop - Short 18.5"	Call for quote
A3	Replace Teardrop - Short 20", 21", 24", 26.5"	Call for quote
B	Repair Bearing Surface of Brake Drum	Call for quote
C	Repair 24" Dia or 4.500" ID of Brake Drum	Call for quote
D	Repair Crank Pin Bore in Tear Drop	Call for quote
E	Repair 8 Hole Bolt Pattern	Call for quote
F	Repair Bearing Journal on Crank	Call for quote
G	Weld and Skim, Crank Pin Half Surface on Tear Drop (OP or DR)	Call for quote
H	Crank Assembly Repair (Disassemble, clean, inspect, replace bearings and seals, hone and paint brake drum, and reassemble)	Call for quote

Crank Assembly - Rework Options

