

G - Caliper Style Brake and Clutch Assembly

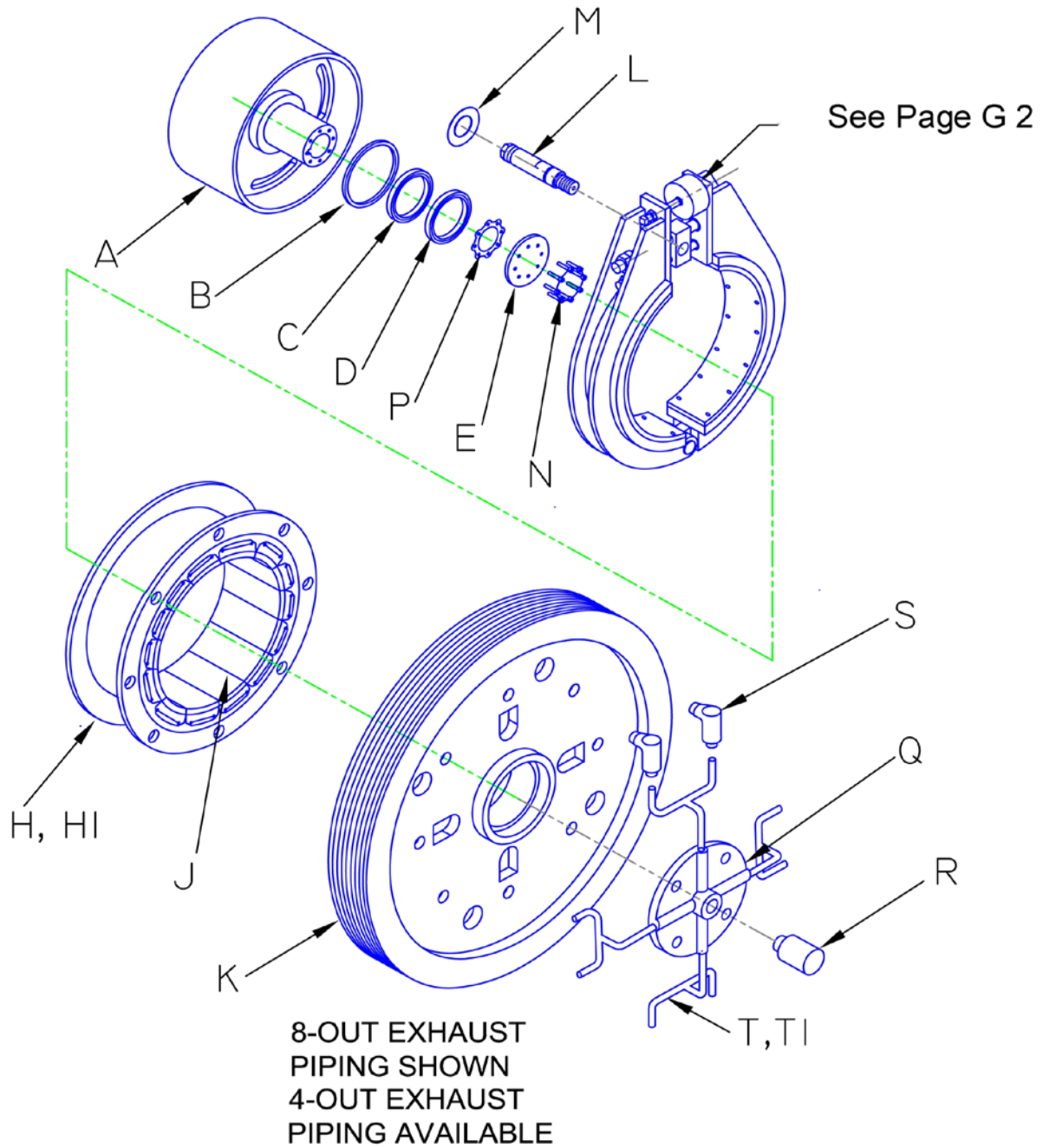
Key	Description	OEM Part No.	OKL Part No.	New Part Price	Repair Price
A	Brake Combination Drum	507816-01	OK-H0500		See Below
B	Oil Seal	21086-3676	OK-H3400		-
C	Bearing Cone	67885	OK-H3200		-
D	Bearing Cup	67820	OK-H3300		-
E	Flywheel Retaining Plate	410745-06	OK-H1600		-
***H	8-valve Clutch Assembly	142267TP	OK-H3900		
***H1	4-valve Clutch Assembly	145 267LP	OK-H3901		
**J	Replacement Shoe Assy	303055	OK-H3905		-
K	Flywheel	512197	OK-H4000		-
L	Brake Reaction Pin	103283	OK-H3815		-
N	Special Bolts w/Safety Wire	-	OK-H2900		-
P	Artis Shim Pack	-	OK-H2000		-
Q	Flywheel Hub	412841-01	OK-H3965		-
R	Rotary Seal	145107BG	OK-H3961		-
S	Quick Release Valve with Muffler		OK-H3940		-
T	Exhaust Air Tubing-4 out (Not Shown)	-	OK-H3910		-
T1	Exhaust Air Tubing-8 out	-	OK-H3915		-

*The minimum Brake Friction Lining thickness is 0.250". Original thickness is 0.500".

**The minimum Clutch Friction Shoe thickness is 0.062". Original thickness is 0.250".

Conventional Brake Rework	Price
***Brake Shoe Assembly Rebuild Includes: Installation of New Brake Lining with fasteners, (2) Ball Bushings, Piston Rod, Flange Bearing, Piston, Cleaning and Painting.	
****Clutch Assembly Rebuild Includes: Inspection, Replacement of (14) Friction Shoe Assemblies, (28) Shoe Pins,	

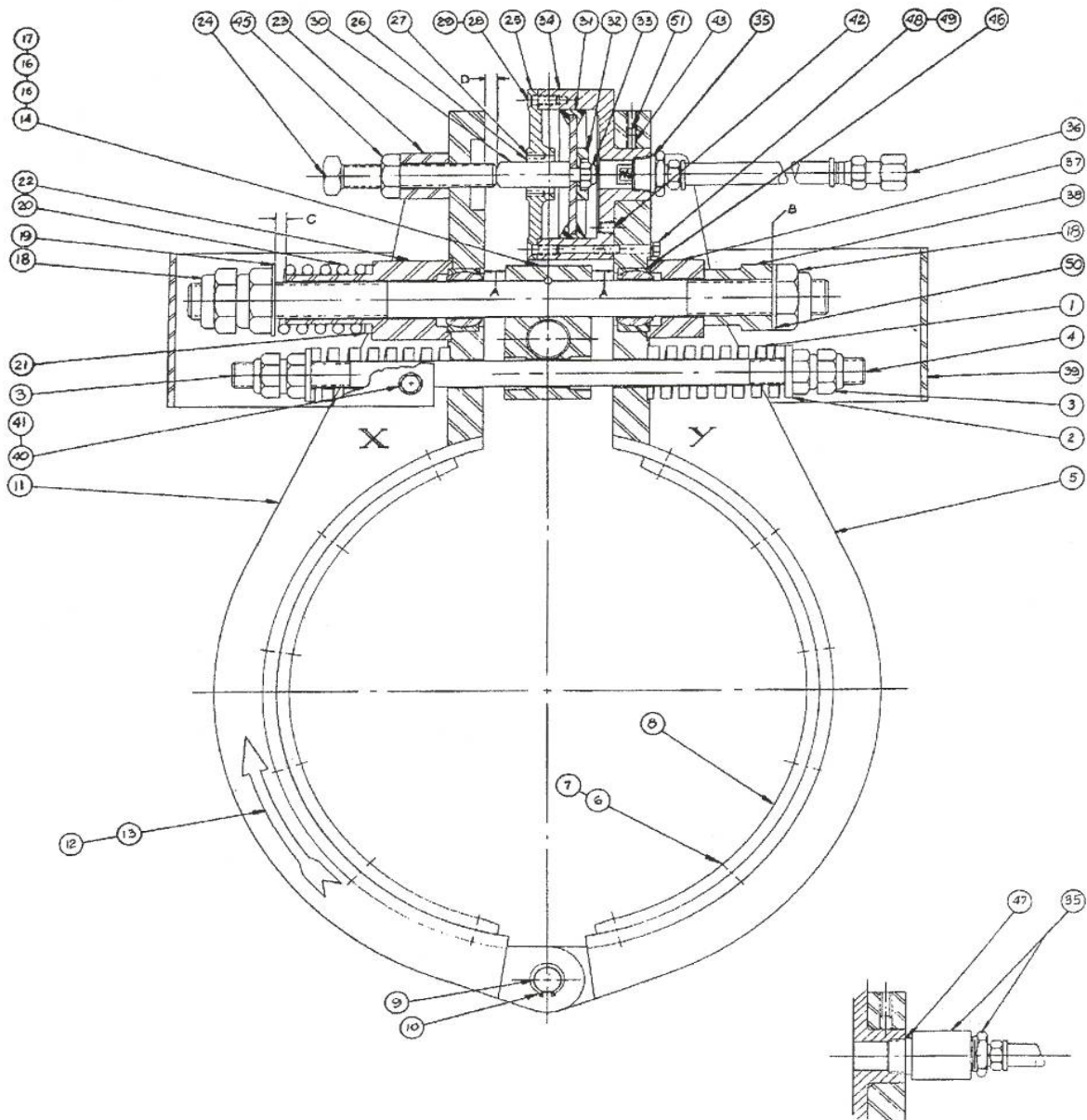
Caliper Style Brake and Clutch Assembly



Airflex 24CTF500 Brake (Component Parts)

Key	Description	OKL Part Number	New Part Price	Repair Price
-	Complete Assembly	OK-H6200		
1	Spring (Lower)	OK-H6233		
2	Washer	OK-H3835		
3	Stop Nut	OK-H6222		
4	Spring Rod	OK-H6228		
5	Brake Shoe - Front	OK-H6245		
6	Rivet or Flat Head Machine Screw	OK-H6246		
7	Stop Nut	OK-H6248		
8	Friction Block	OK-H6247		
9	Pin	OK-H6256		
10	Snap Ring	OK-H6249		
11	Brake Shoe - Rear	OK-H6250		
12	Decal	OK-H6220		
13	Decal	OK-H6251		
14	Trunnion Assembly	OK-H6223		
18	Stop Nut	OK-H3845		
19	Washer	OK-H6252		
20	Spring	OK-H3855		
22	Spring Sleeve	OK-H6236		
24	Adjustment Bolt	OK-H3890		
25	End Cap	OK-H3865		
26	Bushing	OK-H6253		
28	Screw	OK-H6254		
29	Lockwasher	OK-H6255		
30	Piston Rod	OK-H3876		
31	Piston Rod	OK-H6205		
33	Stop Nut	OK-H6257		
34	Cylinder	OK-H6258		
35	Flow Valve Assembly	OK-H6238		
36	Hose Assembly	OK-H6213		
37	Spacer	OK-H6201		
39	Spring Shield	OK-H3839		
40	Hex Head Cap Screw	OK-H6210		
41	Lockwasher	OK-H6211		
42	Pipe Plug	OK-H3842		
43	Set Screw	OK-H6261		
45	Stop Nut	OK-H3891		
46	Self Aligning Bushing	OK-H6239		
50	Washer	OK-H6230		
51	Jam Screw	OK-H6262		

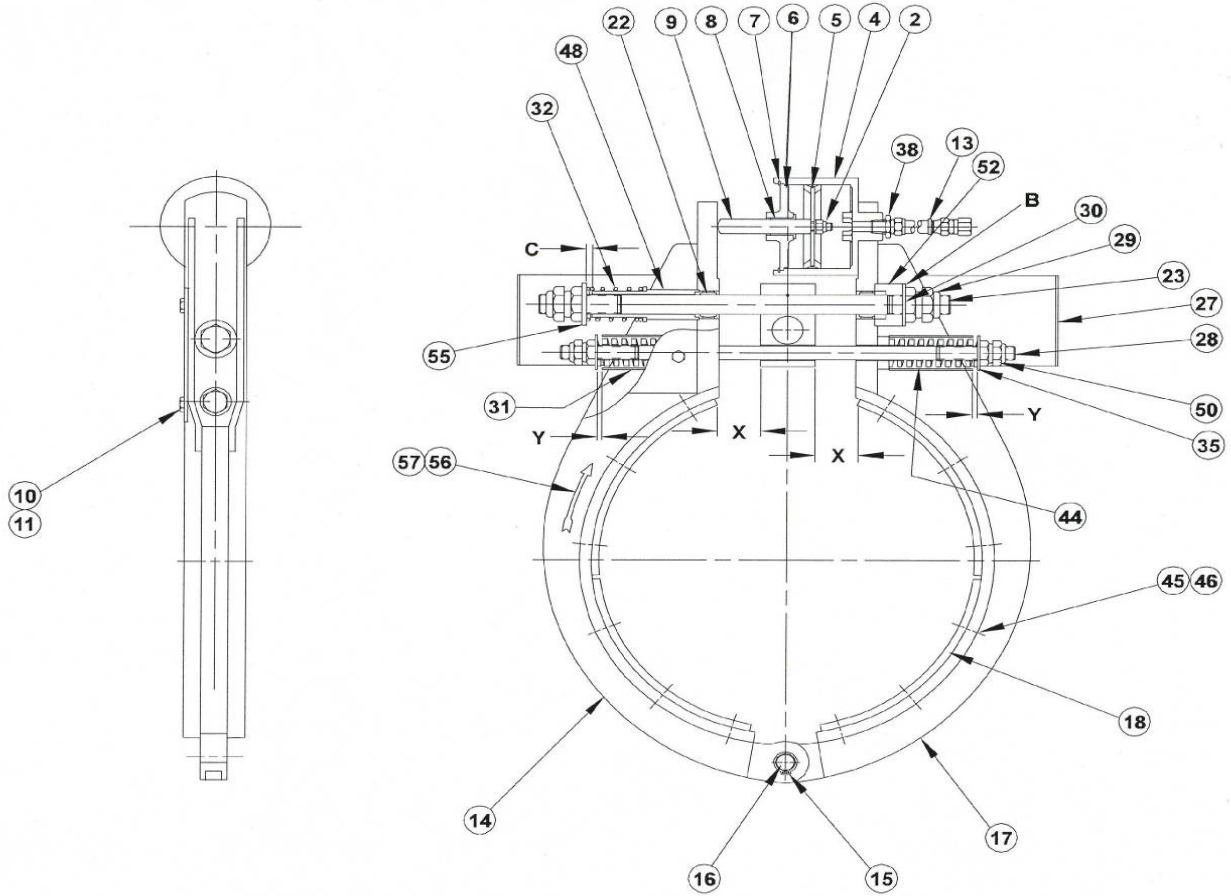
Airflex 24CTF500 Brake (Component Parts)



Airflex 24CTE500 Brake (Component Parts)

Key	Description	OKI Part Number	New Part Price	Repair Price
	Complete Assembly	OK-H6200A		
2	Hex Head Screw	OK-H6240		
4	Cylinder	OK-H6204		
5	Piston	OK-H6205		
6	End Cap	OK-H6206		
7	Snap Ring	OK-H6207		
8	Flange Bearing	OK-H6208		
9	Piston Rod	OK-H6209		
10	Hex Head Screw	OK-H6210		
11	Lockwasher	OK-H6211		
13	Hose Assembly	Ok-H6213		
14	Brake Shoe	OK-H6214		
22	Bail Bushing	OK-H6239		
23	Trunnion	OK-H6223		
27	Spring Shield	OK-H6227		
28	Rod	OK-H6228		
29	Stop Nut	OK-H6229		
30	Washer	OK-H6230		
31	Spring Tube	OK-H6231		
32	Spring	OK-H6232		
35	Washer	OK-H6235		
38	Flow Valve Assembly	OK-H6238		
44	Spring	OK-H6233		
45	Button Head Screw	OK-H6226		
46	Stop Nut	OK-H6225		
48	Spring Sleeve	OK-H6236		
50	Stop Nut	OK-H6222		
52	Sleeve	OK-H6201		
55	Washer	OK-H6244		
56	Decal (Drum Rotation)	OK-H6244		
57	Decal (Drum Rotation)	OK-H6220		

Airflex 24CTE500 Brake (Component Parts)



Component Parts for Type CB Element (Clutch Replacement Parts Listing)

CB Element Clutch	OK-H6100
--------------------------	-----------------

Key	Description	OKL Part No.
1	Elbow Assembly	OK-H6101
1A	Optional - Quick Release Valve Assembly	OK-H6101A
1B	Optional - Quick Release Valve Muffler	OK-H6101B
2	Compression Ring	OK-H6102
3	Air Connection Tube	OK-H6103
4	Air Connection Gasket	OK-H6104
5	Friction Shoe Assembly	OK-H6105
6	Air Tube Group (Dual Mounted)	OK-H6106
7	Spacer Group (Dual Mounted)	OK-H6107
8	Shoe Pin	OK-H6108
9	Lockwire	OK-H6109
5,8,9	Friction Shoe Replacement Kit	OK-H6110

Component Parts for Type CB Element
(Clutch Replacement Parts Listing)

