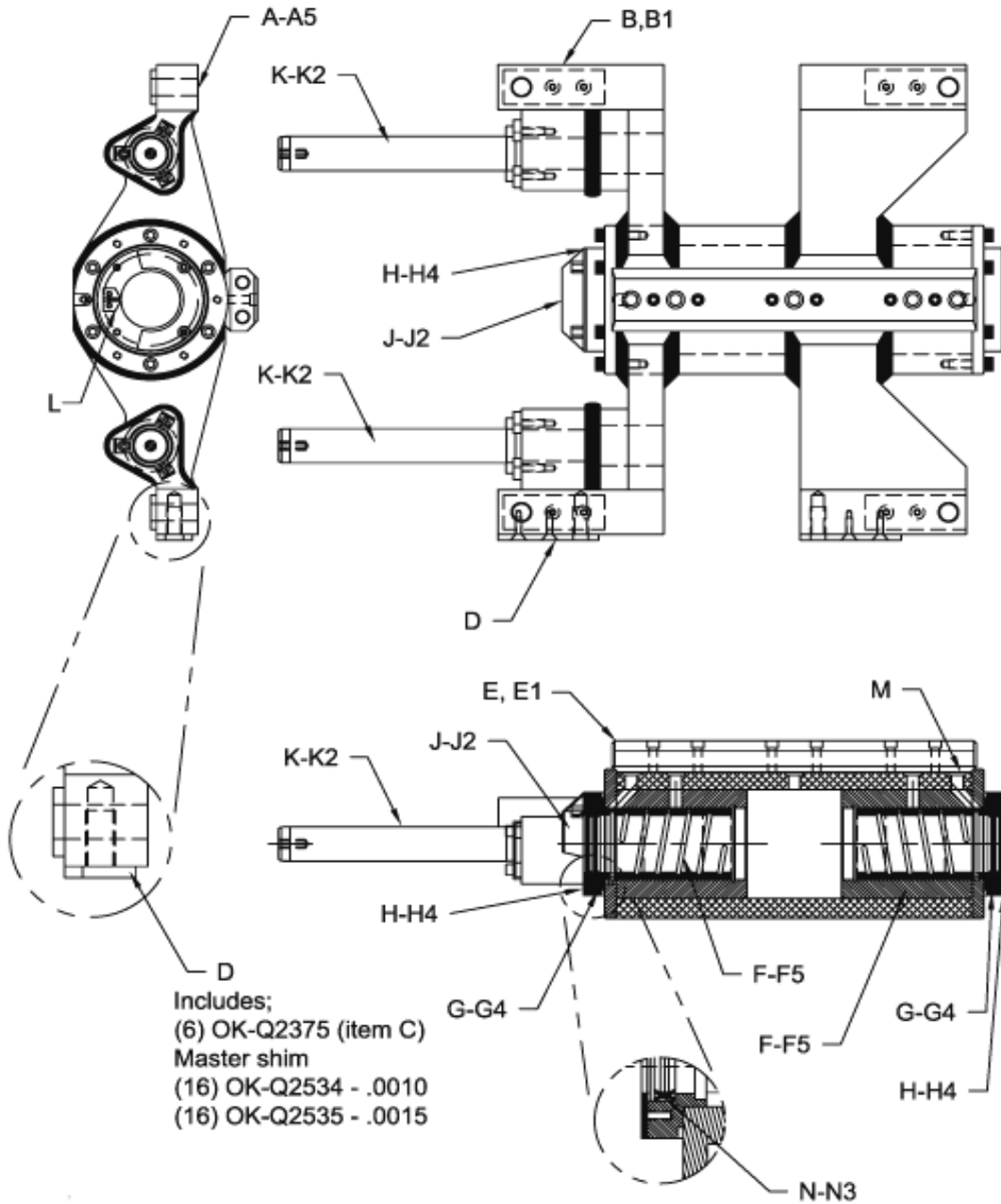


## K - Linear Guidance System (LGS) Ass'y

Key	Description	OKL Part Number	New Part Price	Repair Price
A	LGS Ass'y - 2.50" Dia. Ram (Cust. Details Required)	OK-Q2400		
A-1	LGS Ass'y - 2.75" Dia. Ram (Cust. Details Required)	OK-Q2400D		
A-2	LGS Ass'y - 2.84" Dia. Ram (Cust. Details Required)	OK-Q2400B		
A-3	LGS Ass'y - 65mm Dia. Ram (Cust. Details Required)	OK-Q2401		
A-4	LGS Ass'y - 2.038" Dia. Ram (Cust. Details Required)	OK-Q2400A		
A-5	18.5" LGS Assembly - 2.50" Dia. Ram	OK-Q1850		
B	LGS Ram Housing – 20, 21, 24, & 26	OK-Q2410		
B1	LGS Ram Housing – 18 1/2"	OK-Q1860		
C	Shims (.246 Thick) <b>( Call For Details )</b>	OK-Q2375		
D	Shim Pack	OK-Q2376		
E	Lube Manifold - Aluminum	OK-Q2420		
E	Lube Manifold - Steel	OK-Q2420A		
E1	O-Ring - Lube Manifold	OK-Q2531		
F	Bearing Cartridge Assy. – 2.50" Dia. Ram	OK-Q2220		
F1	Bearing Cartridge Assy. – 2.75" Dia. Ram	OK-Q2230		
F2	Bearing Cartridge Assy - 2.84" Dai. Ram	OK-Q2230A		
F3	Bearing Cartridge Assy. - 65mm Dia. Ram	OK-Q2221		
F4	Bearing Cartridge Assy. - 2.038" Dia. Ram	OK-Q2220A		
F5	<b>( Call For Details )</b>			
G	End Cap 2.50" Dia. Ram	OK-Q2300		
G1	End Cap 2.75" Dia. Ram	OK-Q2310		
G2	End Cap 2.84" Dia. Ram	OK-2310A		
G3	End Cap - 65mm Dia. Ram	OK-Q2301		
G4	End Cap - 2.038 Dia. Ram	OK-Q2300A		
H	End Plate 2.50" Dia. Ram	OK-Q2350		
H1	End Plate 2.75" Dia. Ram	OK-Q2360		
H2	End Plate 2.84" Dia. Ram	OK-Q2360A		
H3	End Plate 65mm Dia. Ram	OK-Q2351		
H4	End Plate 2.038 Dia. Ram	OK-Q2350A		
J	Splash Shield 2.50" Dia. Ram	OK-Q2430		
J1	Splash Shield 2.75" Dia. Ram	OK-Q2431		
J2	<b>( Call For Details )</b>			
K	Guide Post w/ Clamps, Screws + oil hole	OK-Q0160		
K1	<b>( Call For Details )</b>			
K2	<b>( Call For Details )</b>			
L	Stripper Blade	OK-J4420		
M	<b>( Call For Details )</b>			
	Leader Pin with Oil Hole (Single Bushing) @ Tool Pack End	OK-Q0162		
	Leader Pin Post with Oil Hole (Single Bushing) @Shoulder	OK-Q0162A		
<b>New:</b>	<b>Complete Linear Guidance System Assembly</b>	<b>OK-Q2400</b>		
<b>Rework:</b>	<b>Bearing Cartridge Ass'y (Cartridge, Bearing &amp; Snap Rings)</b>			

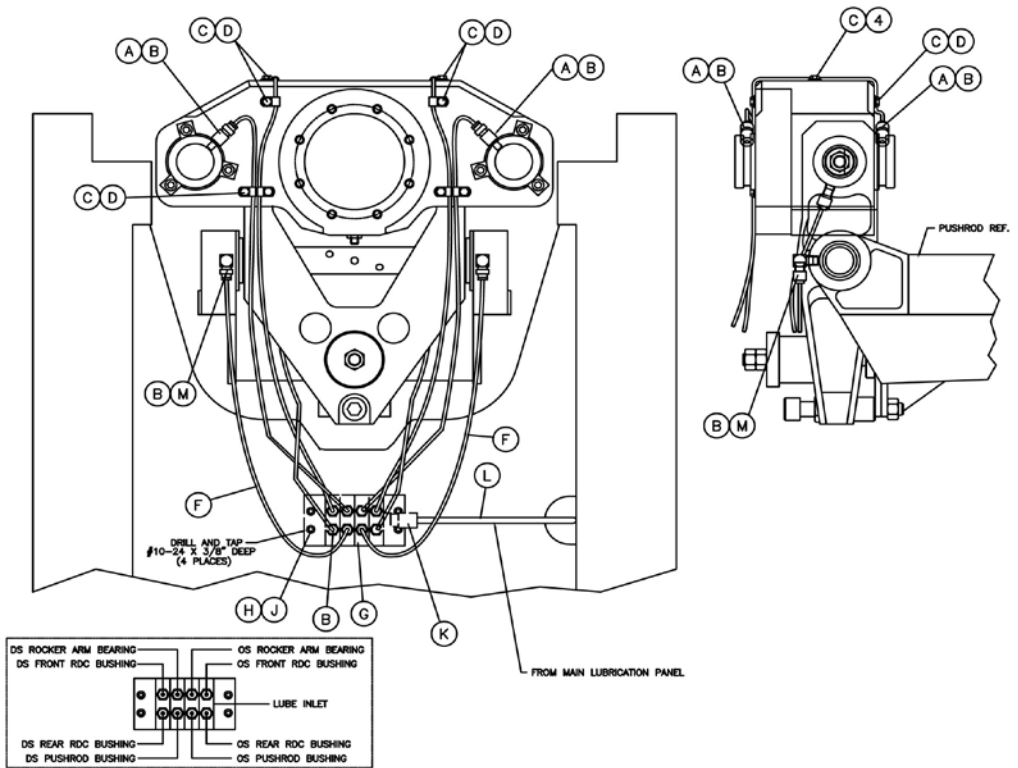
# Linear Guidance System (LGS) Assembly



**LGS - Redraw Carriage Lubrication - L1200**

Key	Description	OKL Part Number	New Part Price	Repair Price
A	Male Connector	FIT0029		
B	Pushlock Fitting	FIT0028		
C	Line Clamp Single			
D	8-32 x 3/8" Self Tap Screw			
E	Line Clamp Double			
F	1/8" Polyflow Tubing	OK-L0010		
G	Divider Injector Block	OK-C1310		
H	SNCS #10-24 x 1 3/4" Lg.			
J	Lockwasher # 10			
K	Straight Connector	FIT0072		
L	1/4" Tin Coated Steel Line	Lincoln		
M	90 Degree Adapter	FIT0045		
N	Injector <b>(Not Shown)</b>	OK-L0025		
O	90 Degree Fitting <b>(Not Shown)</b>	FIT0052		
P	" T " 1/4" NPT <b>(Not Shown)</b>	FIT0073		
Q	High / Low Switch <b>(Not Shown)</b>	OK-P0500		
R	Lube Block <b>(Not Shown)</b>	OK-L0050		

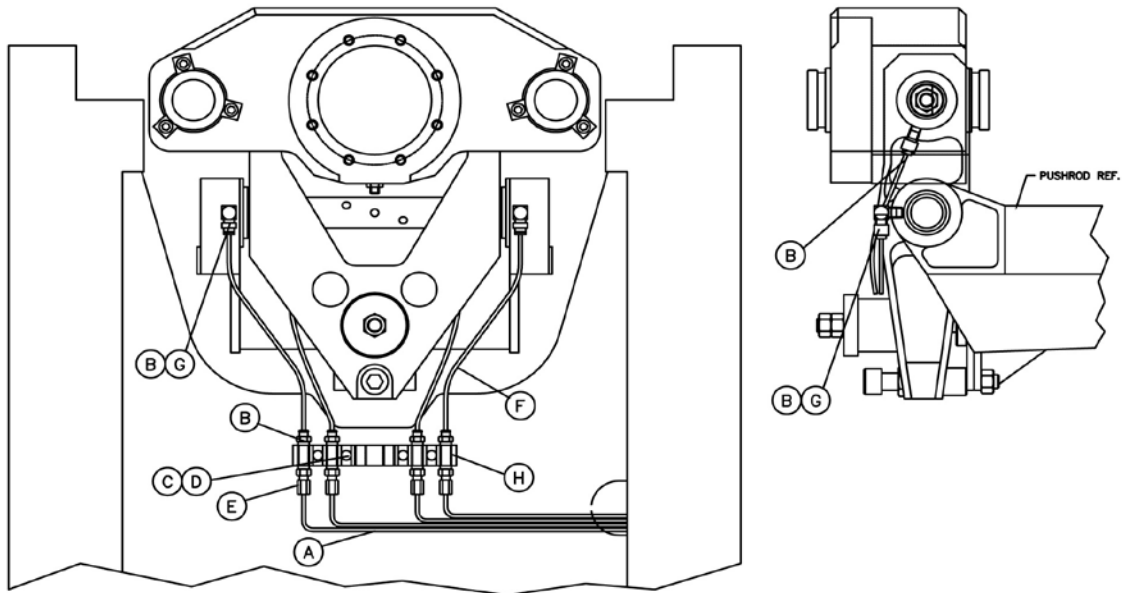
# LGS - Redraw Carriage Lubrication - L1200



## LGS - Redraw Carriage Lubrication - L1200B

Key	Description	OKL Part Number	New Part Price	Repair Price
A	1/8" Hydraulic Tubing	L0015		
B	Pushlock Fitting	FIT0028		
C	SHCS 5/16" x 1.25 Lg.			
D	Lock Washer 5/16"			
E	Fitting 1/8" Comp. 1/8" NPT	FIT0039		
F	1/8" Polyflow Tubing	OK-L0010		
G	90 Degree Adaafter 1/8" NPT	FIT0045		
H	Anchor Block	FIT0038		

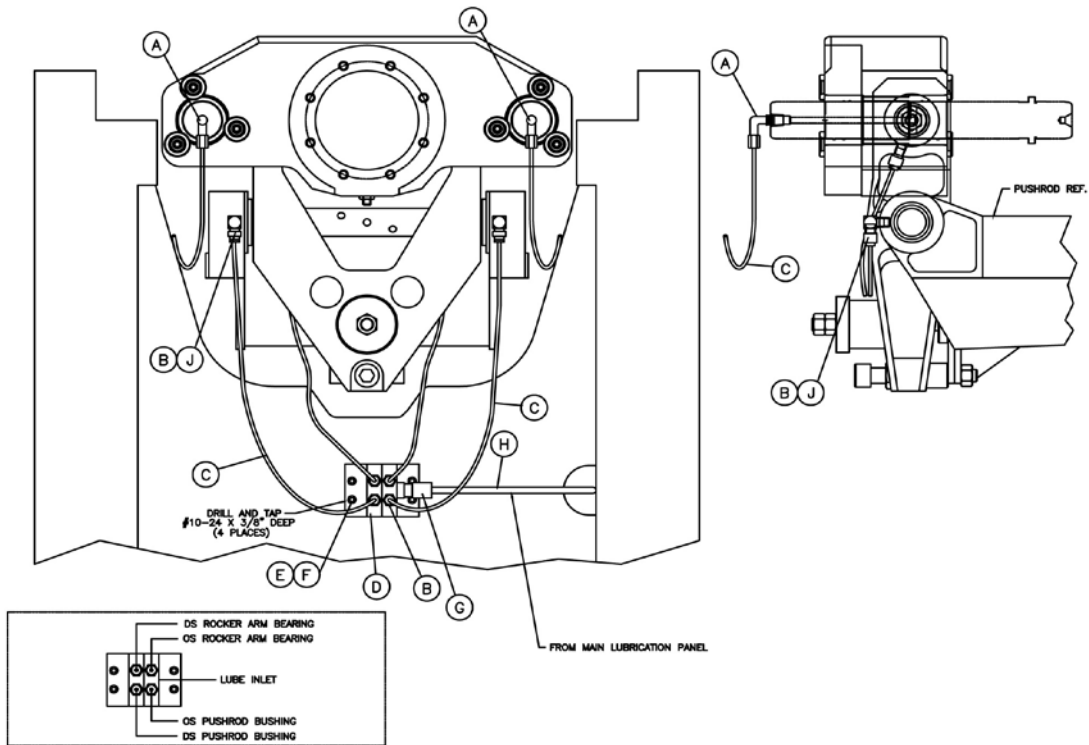
# LGS - Redraw Carriage Lubrication - L1200B



## LGS - Redraw Carriage Lubrication - L1200C

Key	Description	OKL Part Number	New Part Price	Repair Price
A	Pushlock Fitting @ 90 Degree - 1/8"	FIT0055		
B	Pushlock Fitting - 1/8"	FIT0028		
C	1/8" Polyflow Tubing	OK-L0010		
D	Divider Injector Block	OK-C1310B		
E	SHCS # 10-24 x 1 3/4" Lg.			
F	Lockwasher # 10			
G	Straight Connector	FIT0072		
H	1/4" Tin Coated Steel Line	Lincoln		
J	90 Degree Adapter	FIT0045		
K	Injector (Not Shown)	OK-L0025		
L	90 Degree Fitting <b>(Not Shown)</b>	LIT0052		
M	" T " 1/4" NPT <b>(Not Shown)</b>	FIT0073		
N	High / Low Switch <b>(Not Shown)</b>	OK-P0500		
O	Lube Block <b>(Not Shown)</b>			

# LGS - Redraw Carriage Lubrication - L1200C





## Redraw Carriage Assembly (8 Bearing)

<b>Redraw Carriage Assembly</b> Includes: All Component Parts except (2) AD-58203 bearings (Rocker Arm Bearings, Cam Followers, and Redraw Sleeve Spacer Plate)	<b>Call for quote</b>
--	---------------------------

Redraw Carriage Assembly Component Listing, See Illustration

Key	Description	OEM Part No.	OKL Part No.	New Part Price	Repair Price
-	Rocker Arm Ass'y Alum. w/Bearings Shaft	-	OK-B0505		
A	Redraw Carr. Body (8 Brg) 4.75 dia.	103944	OK-B0200		
B	Follower Support (8 Brg) Aluminum	103928	OK-B0400		
*C	Rocker Arm (Aluminum) <b>NEW</b>	-	OK-B0510		
*C1	Rocker Arm (Steel) 1-3/8 Dia.	106062	OK-B0600		
*C2	Rocker Arm (Double Spring) 1.375" Dia.	-	OK-B0616A		-
*C3/S	Rocker Arm (Double Spring 1.00" Dia.	-	OK-B0611		
D	Follower Support Nut (set of 4)	150235	OK-B0700		-
E	Rocker Arm Lock Nut	106144	OK-B0800		-
F	Rocker Arm Hinge Pin	106507	OK-B0900		-
G	Redraw Carriage Washer	106615	OK-B0001		-
H	Rocker Arm Spring Retainer	114833	OK-B1500		-
J	Outer Spring (Danly - Yellow)	755370	OK-B1800		-
K	Inner Spring (Danly - Yellow)	755360	OK-B1700		-
L	Spring Retainer	114837	OK-B1600		-
M	Pre-Load Saddle Fixture	-	OK-B1900		-
N	Redraw Carr. Lifting Fixture	108518	OK-B2000		-
P	Dillon Gauge	30441-0012	OK-B0910		-
R	Redraw Sleeve Spacer Plate - Al Cans	132-1-5282	OK-B0250		-
R1	Redraw Sleeve Spacer Plate - Steel Cans	-	OK-B0260		-
T	Rocker Arm Bearing	AD-58203	-		-
T1	Bronze Bushing Conversion	AD-58203	OK-E1120		-
U	Cam Follower Bearing (Upper, Eccentric)	-	OK-B2200		-
V	Cam Follower Bearing (Lower)	-	-		-
W	Spring Retainer - Double Spring Rocker Arm	-	OK-E2410		-
X	Redraw Carriage Hinge Pin (Straight Pin)	-	OK-B3630		-
Y	Spherical Bearing		OK-B2100		

**\*Rocker Arms Are Size Specific as to What Type Rocker Arm Shaft Is Required-Please Specify.**

We occasionally have reconditioned parts for sale, Call for pricing and delivery.

Options	Price
<b>Redraw Carriage Pre-Load Fixture</b> Pre-Load Fixture Wrench	OK-B1900

# Redraw Carriage Assembly (8 Bearing)

