

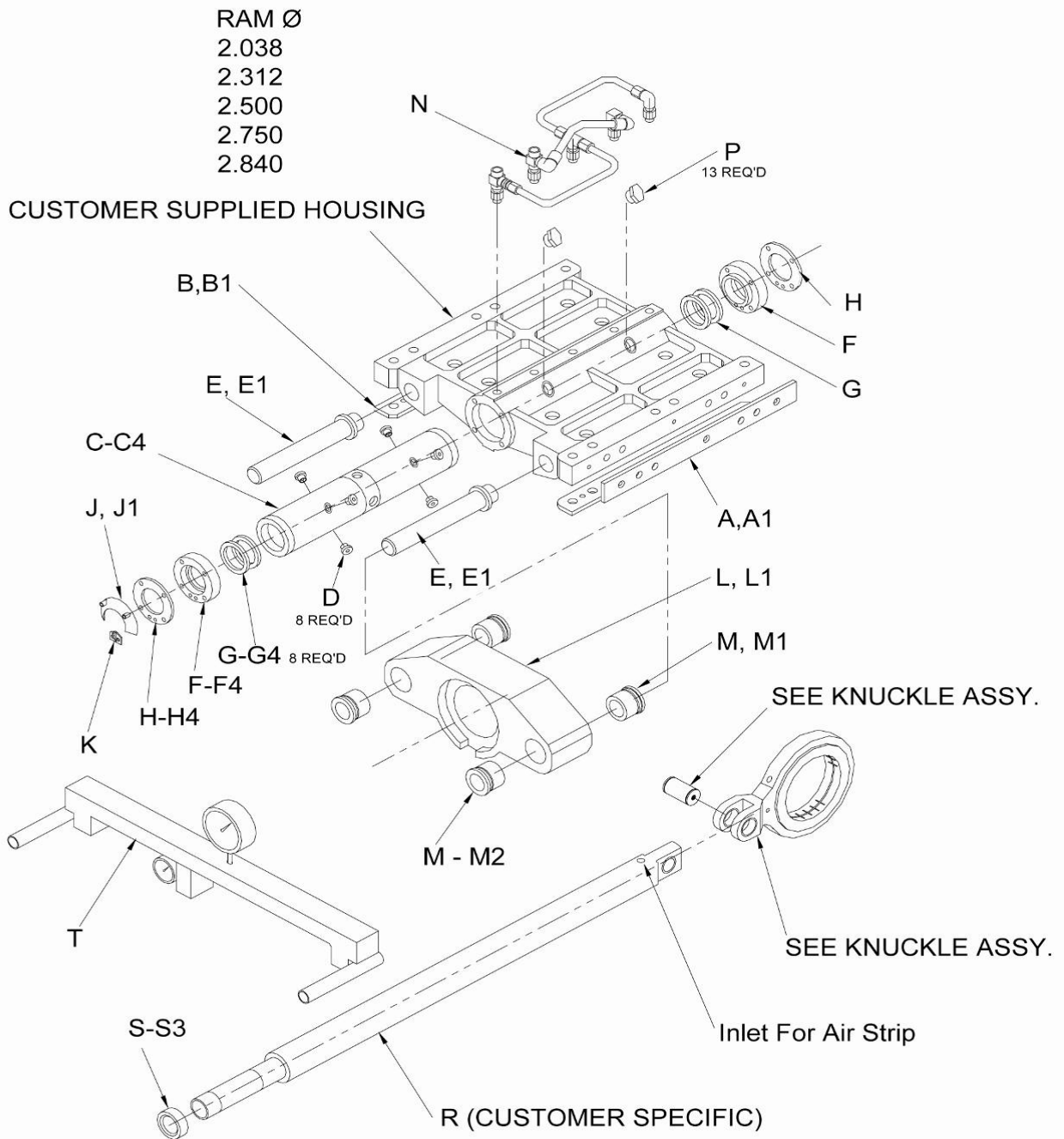
L - Fluid Bearing Ram (FBR) Assembly

Key	Description	OEM Part No.	OKL Part No.	New Part Price	Repair Price
A	FBR Side Shim - 18 1/2", 21"	111424	OK-Q0120		-
A1	FBR Side Shim - 24", 26 1/2"	111424	OK-Q0125		-
B	FBR Bottom Shim - 18 1/2", 21"	113706	OK-Q0130		-
B1	FBR Bottom Shim - 24", 26 1/2"	113706	OK-Q0135		-
*C	FBR Bushing	-	-		-
D	FBR Jet Orifice	111435	OK-Q0150		-
E1	Leader Pin Post with Oil hole w/clamps	-	OK-Q0162		-
*F	FBR End Cap (Dbl. Seal) 2.5" Diameter	111432	OK-Q0170		-
*G	FBR Seal 2.5" Diameter	773686	OK-Q0190		-
*H	FBR End Plate 2.5" Diameter	111434	OK-Q0180		-
*J	FBR Splash Shield 2.5" Diameter	111766	OK-Q0200		-
K	FBR Stripper Knife	109954	OK-J4420		-
L	FBR Redraw Carriage Assembly		OK-B3001		
L	FBR Redraw Carriage Assy. (with Composite Bushings)	-	OK-B3001C		
L1	FBR Redraw Carriage (Body Only)	111539	OK-B3000		
M	Guide Post Bushing w/clamps	111540	OK-B3100		-
M1	Bronze Bushing Assembly		OK-B3110		-
M2	Composite Bushing Assembly		OK-B3110A		-
N	Fitting and Coolant Line Kit	-	OK-Q0600		-
P	O-Ring Boss Plug	750279	OK-Q0240		-
*R	Fluid Bearing Ram 21"	112446	-		See below
R1	Fluid Bearing Ram 24"	112446	-		See below
*S	Punch Spacer	112374	-		-
T	Ram Fixture	111221	OK-Q0800		-
U	Pump Station	-	OK-Q1005		-
W1	Ram Bushing 1.375 Dia.	-	OK-Q0901		-

***Note: Items C, F, G, H, J, R, & S, are diameter specific, and will need to be ordered accordingly.**

Options	Price
Rework Fluid Bearing Housing (OK-Q0105 R) - 24" Stroke Includes: - Remove and replace: bronze bushing and all seals. - Clean and inspect all jets, end caps and end plates; & Grind/Replace Shims.	
Rework FBR Ram -Inspect, rework nose and body to spec	

Fluid Bearing Ram (FBR) Assembly (Rework Parts)



FBR Housing Retrofit (Bronze to Composite Bushing)

Description	OKL Part No.	New Part Price	Repair Price
Retrofit Assembly With Customer Supplied FBR Housing- 2.50" Ram			-
Retrofit Assembly With OKL Supplied FBR Housing - 2.50" Ram		Call for Quote	-
Retrofit Assembly With Customer Supplied FBR Housing - 2.75" Ram			-
Retrofit Assembly With OKL Supplied FBR Housing- 2.75" Ram		Call for Quote	-
Retrofit Assembly With Customer Supplied FBR Housing - 2.840" Ram			-
Retrofit Assembly With OKL Supplied FBR Housing- 2.840" Ram		Call for Quote	-
Retrofit Assembly With Customer Supplied FBR Housing - 2.038" Ram			-
Retrofit Assembly With OKL Supplied FBR Housing- 2.038" Ram		Call for Quote	-

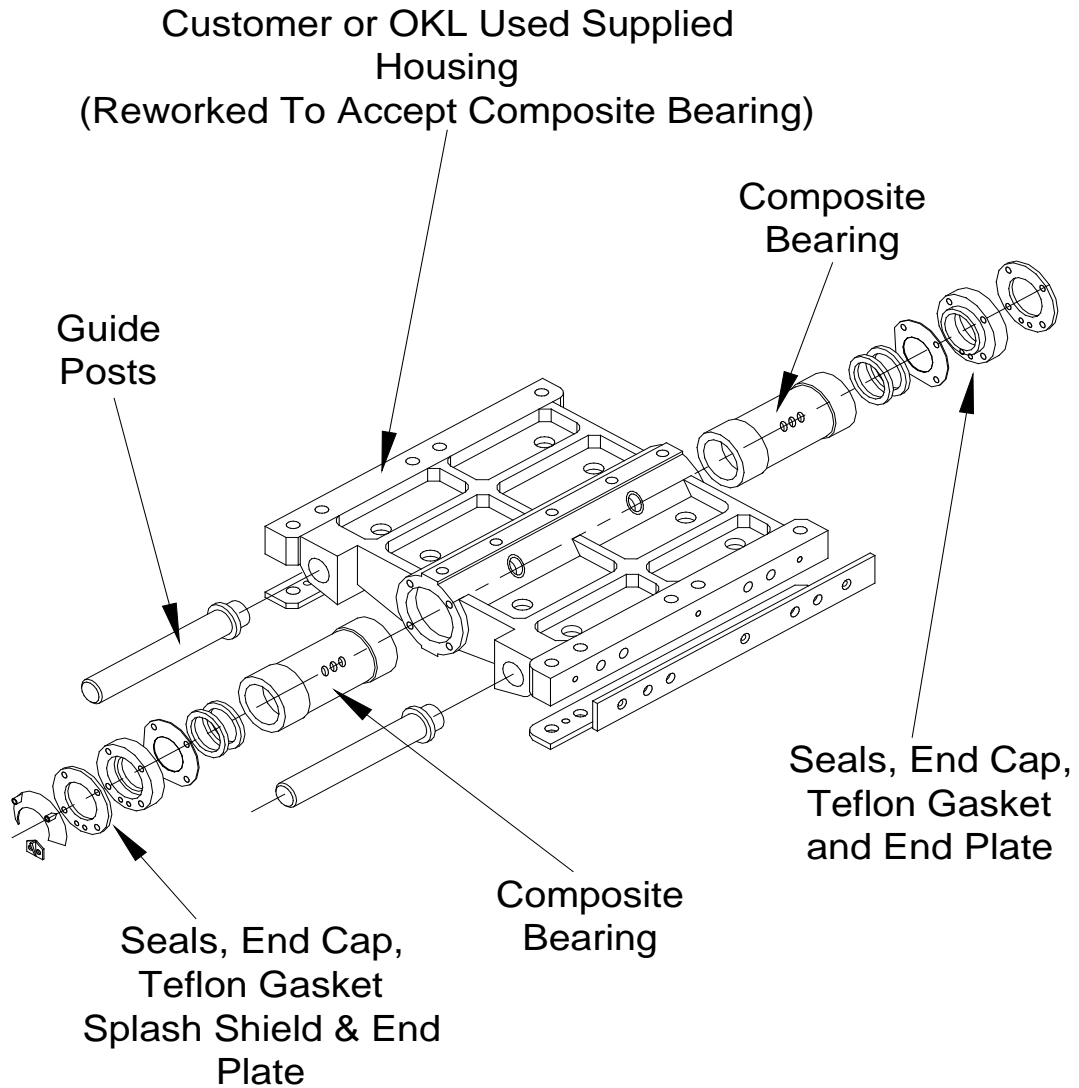
Note: Though this Retrofit eliminates the need for a pump station, OKL still performs service, and supplies replacement parts. For high pressure systems see Fluid Bearing Assembly. Please Call For Prices And Availability.

Conversion Hsg. Rework (Composite to Composite)

Description	OKL Part No.	New Part Price	Repair Price
Rework Customer Supplied Conversion Housing- 2.50" Ram			
Rework Customer Supplied Conversion Housing- 2.840" Ram			
Rework Customer Supplied Conversion Housing- 2.038" Ram			
Rework Customer Supplied Conversion Housing- 2.750" Ram			
Flow Monitor and Install Kit (Included w/ Rework)	OK-L0351		

***Customer Specific Details Required**

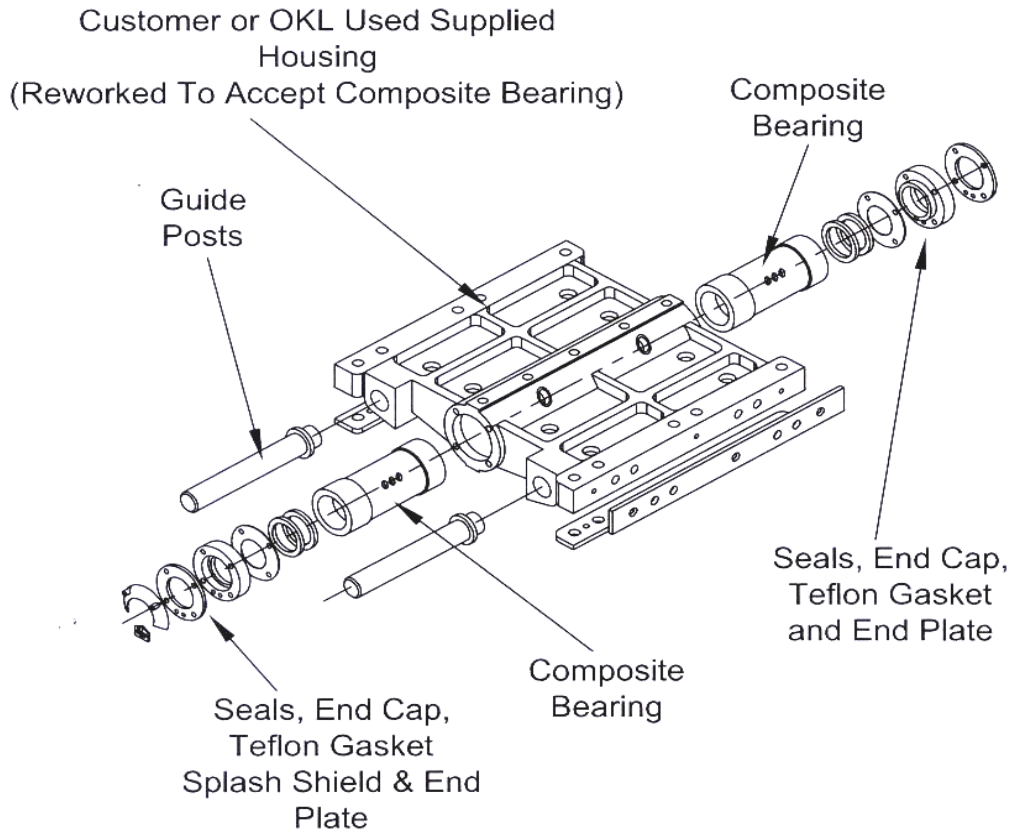
FBR Housing Retrofit (Bronze to Composite)



FBR Housing Retrofit (Bronze - Composite)

Key	Description	OKL Part Number	New Part Price	Repair Price
A	FBR Housing (Converted From Bronze to Composite)			
B	Lake Montitor, Flow Switch	OK-Q2550		
C	"Y" Filter / Strainer, #Y-6-149-F3	OK-Q0581		
D	Ball Valve, McMaster Carr #4830K198	FIT0013		
E	"T" Fitting 3/8" NPT Male - Weatherhead # 7605-8	FIT0025		
F	Ferrous Filter Trap - Existing - Plant Supplied			
G	Flow Restrictor 12 - 18 GPM - Existing - Plant Supplied			
H	On / Off Valve - Existing - Plant Supplied			
J	Flow Meter - Existing - Plant Supplied			
K	3/4" x 2" S.S. Pipe Nipple	FIT0036		
L	3/4" x 6" Pipe Nipple	FIT0035		
M	Reducer	FIT0016		
N	Restrictor Fitting Ass'y (Plant to Determine Straight or 90 Degree)	OK-L0355		
O	Socketless Adapter	FIT0017		
P	Hose	2556-8		
Q	90 Degree Elbow - 2024-6-8S	FIT0037		
R	Adapter	FIT0022		
S	Branch " T "	FIT0025		
T	Bulkhead Fitting	FIT0018		

FBR Housing Retrofit (Bronze - Composite)



Included with Composite conversion (dwg. L0351)

