

M - Ram Guidance System (RGS) Assembly

Ram Guidance Ram Assembly Component Listing, See Illustration

Key	Description	OEM Part No.	OKL Part No.	New Part Price	Repair Price
*A	*Ram Guidance Ram	-	-		-
B	Split Ring Retainer	108277	OK-J1800	Call for Quote	-
C	Split Ring	108328	OK-J1700	Call for Quote	-
D	O-Ring	770970	OK-J4300	Call for Quote	-
E	Ram Block (Steel)	108253	OK-J1500	Call for Quote	-
E1	Ram Block (Aluminum)	108253	OK-J1550	Call for Quote	
F	Ram Block Bushings (Set)	108289	OK-J2000	Call for Quote	-
G	Air/Oil Adapter Manifold	108268	OK-J1600	Call for Quote	-
H	Lube Manifold	108788	OK-J1900	Call for Quote	-
J	Support Wing	108299	OK-J1300	Call for Quote	-
K	Clamp	-	OK-J3450	Call for Quote	-
L	Wrist Pin	114835	OK-A1320	Call for Quote	-
M	Lube Manifold Adapter		OK-J1950	Call for Quote	-

* Item K is Not a Discontinued Item

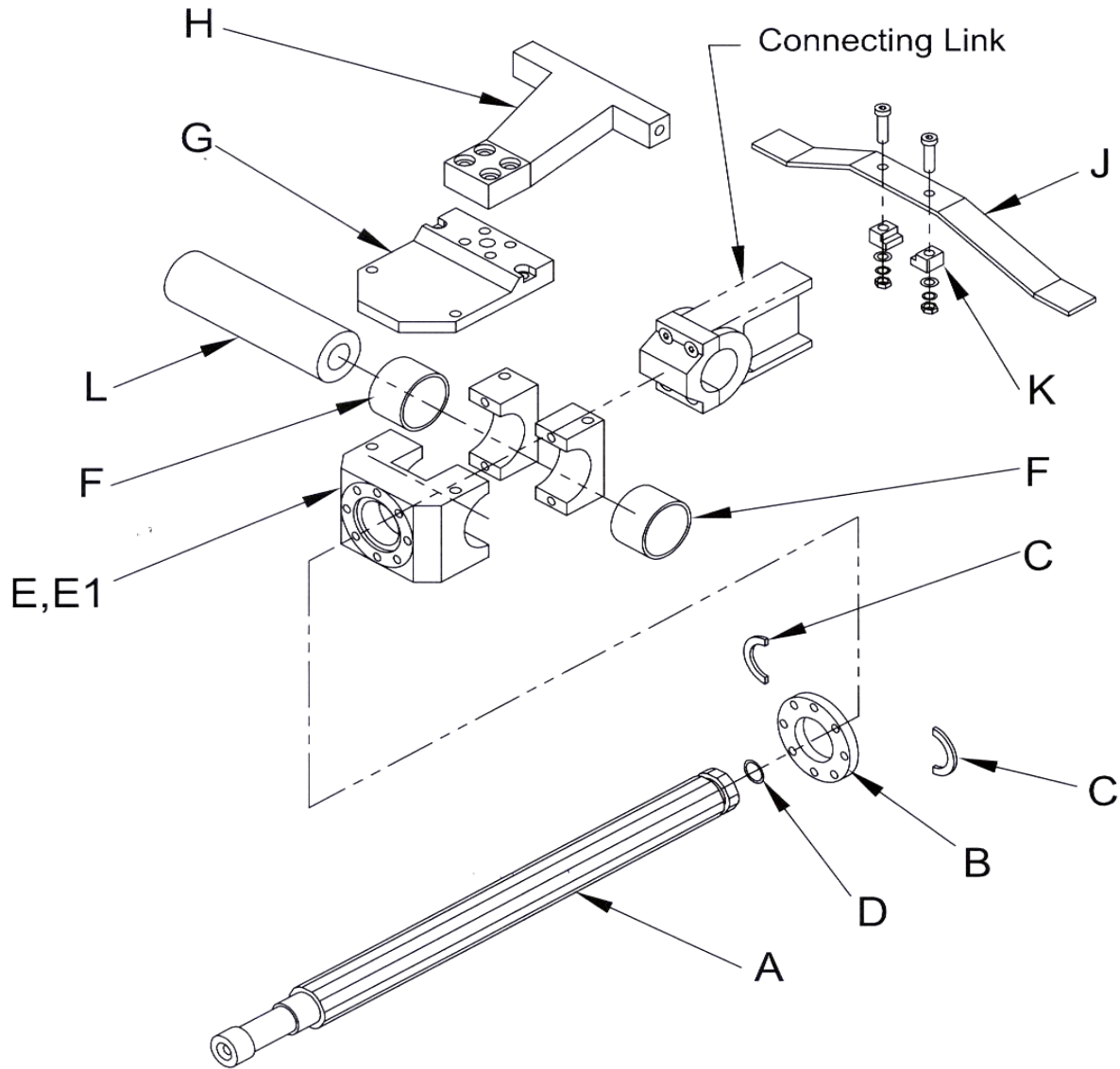
* Because many different variations exist for the Ram Guidance Rams, call us for a part number for a Ram that fits your particular needs.

Options	Price
Ram Guidance Ram Repair Punch Lands chromed and ground to size 6 Flats on Shaft ground .005"	
Additional .005" Grind	Call for Quote
Assembly and Tool Room Set up	Call for Quote

*Parts Have Been Discontinued -
Call For Inventory Status*

Parts can be ordered in minimum quantity of (3)

Ram Guidance System (RGS) Assembly



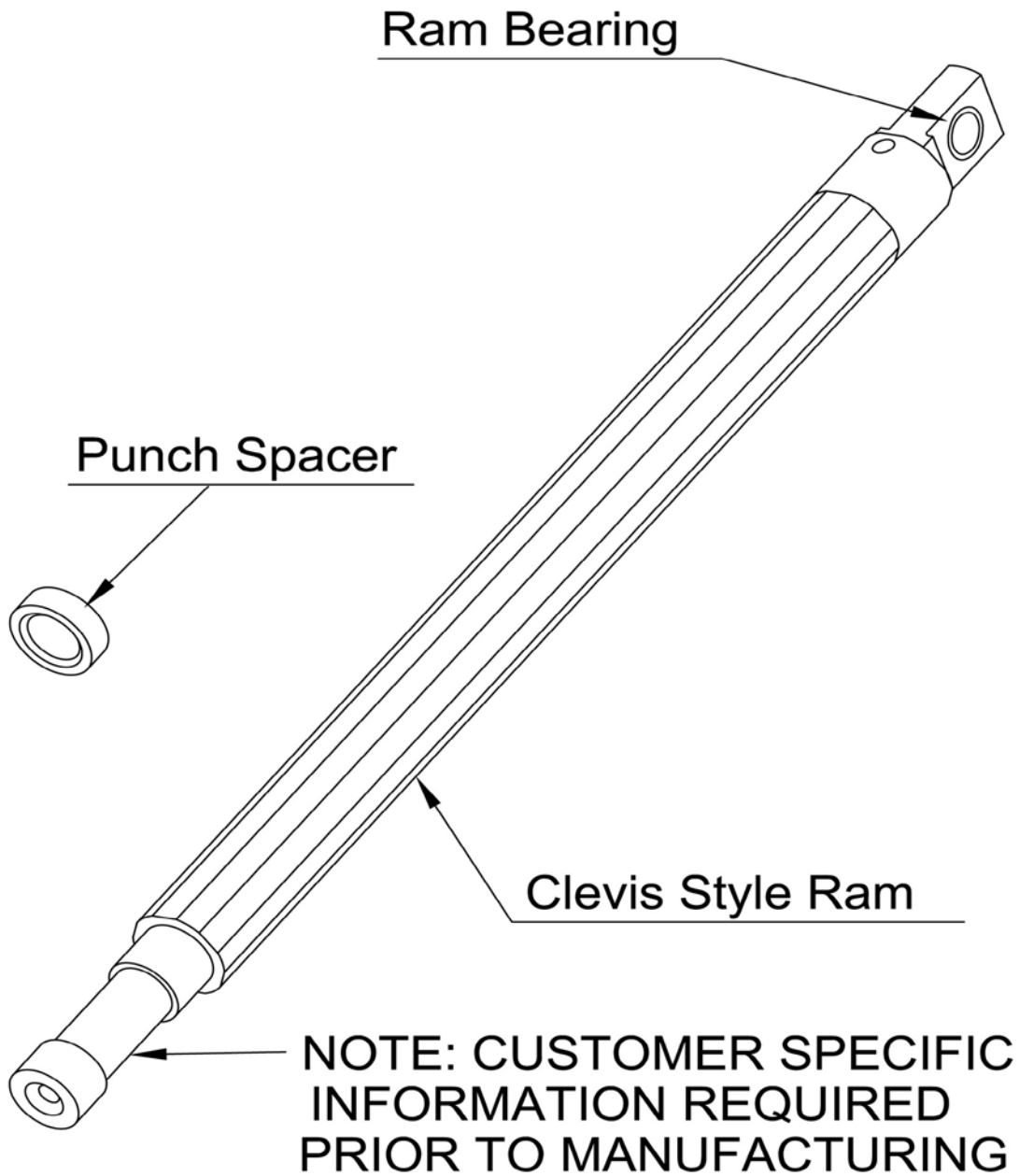
Ram Guidance Clevis Ram Assembly

	Description	OKL Part No.	New Part Price	Repair Price
	Ram Guidance Ram - Clevis Style, 24" stroke	Call For Part Number	Call for Quote	-
	Ram Bearing	OK-J4620		
	Punch Spacer	OK-J4716		

*Parts Have Been Discontinued -
Call For Inventory Status*

Parts can be ordered in minimum quantity of (3)

Ram Guidance Clevis Ram Assembly



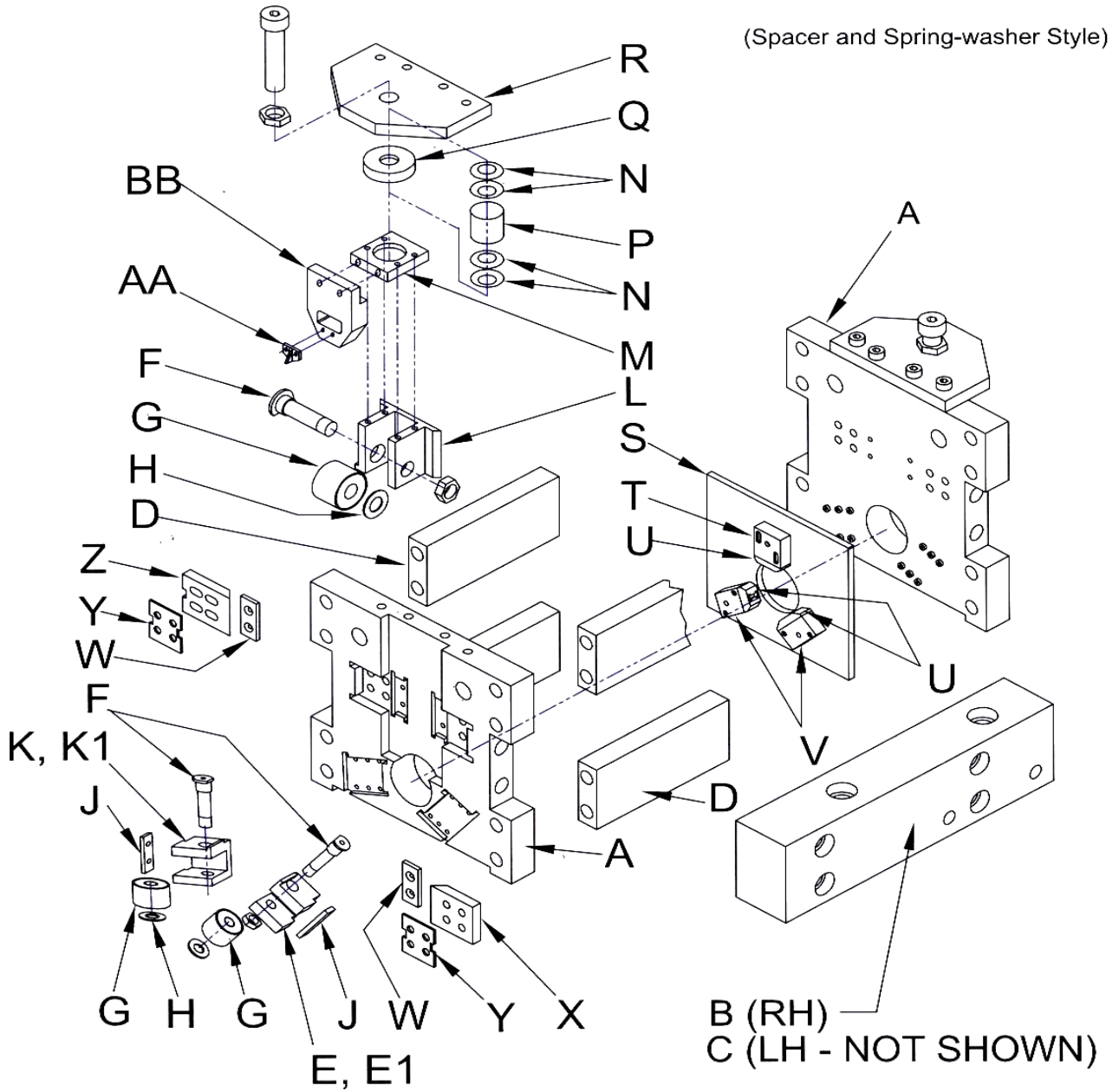
Ram Guidance System (RGS) Bulkhead Ass'y (Spacer Style)

Key	Description	OEM Part No.	OKL Part No.	New Part Price	Repair Price
A	Main Bulkhead	108295	OK-J2100		-
B	Ram Cradle Rail (RH)	108335	OK-J0100		-
C	Ram Cradle Rail (LH)	108338	OK-J0150		-
D	Spacer Block - 6.5"	108252	OK-J1100		-
D1	Spacer Block - 15.5"	-	OK-J4650		
D2	Spacer Block - 11.625"	-	OK-J4650A		
D3	Spacer Block - 13"	-	OK-J4706		
E	Roller Bracket (RH)	108294	OK-J2200		-
E-1	Roller Bracket (RH)		OK-2200A		
F	Roller Bolt	109397	OK-J2900		-
G	Cam Follower Bearing	CY64048-1	OK-J2400		-
H	Roller Spacer Washer	108223	OK-J2500		-
J	Bracket Wear Plate (Lower)	108312	OK-J3800		-
K	Roller Bracket (LH)	108301	OK-J3100		-
K-1	Roller Bracket (LH)		OJ-J3100A		
L	Roller Bracket (Upper)	109957	OK-J2300		-
M	Spring Plate (Lower)	108322	OK-J2600		-
N	Belleville Spring Washer	-	OK-J4100		-
P	Spring Spacer	-	OK-J4200		-
Q	Spring Plate (Upper)	108321	OK-J2700		-
R	Spring Tension Plate	108302	OK-J2800		-
S	Spray Lube Base Plate	108300	OK-J3200		-
T	Lube Block (Upper)	-	OK-J0340		-
U	Lube Pad	1099-32A	OK-J0330		-
V	Lube Block (Lower)	768610	OK-J0310		-
W	Bracket Wear Plate (Upper)	-	OK-J3900		-
X	Roller Bracket Fixed Clamp	108314	OK-J3600		-
Y	Roller Bracket Clamp Plate	-	OK-J3700		-
Z	Bracket Adjustable Clamp	108313	OK-J4000		-
AA	Stripper Blade	109954	OK-J4420		-
BB	Top Roller Stripper Plate	-	OK-J4450		-

**Parts Have Been Discontinued -
Call For Inventory Status**

Parts can be ordered in minimum quantity of (3)

Ram Guidance System (RGS) Bulkhead Ass'y (Spacer Style)



**Ram Guidance System (RGS) Bulkhead Assembly
(Spring Style)**

Key	Description	OEM Part No.	OKL Part No.	New Part Price	Repair Price
A	Main Bulkhead	108295	OK-J2100		-
B	Ram Cradle Rail (RH)	108335	OK-J0100		-
C	Ram Cradle Rail (LH)	108338	OK-J0150		-
D	Spacer Block	108252	OK-J1100		-
E	Roller Bracket (RH)	108294	OK-J2200		-
E-1	Roller Bracket (RH)		OK-J2200A		
F	Roller Bolt	109397	OK-J2900		-
G	Cam Follower Bearing	CY64048	OK-J2400		-
H	Roller Spacer Washer	108223	OK-J2500		-
J	Bracket Wear Plate (Lower)	108312	OK-J3800		-
K	Roller Bracket (LH)	108301	OK-J3100		-
K-1	Roller Bracket (LH)		OK-J3100A		
L	Roller Bracket (Upper)	109957	OK-J2300		-
M	Spring Plate (Lower)	108322	OK-J2600		-
N	Die Spring	-	OK-J4250		-
P	Spring Spacer	-	OK-J4200		-
Q	Spring Plate (Upper)	108321	OK-J2700		-
R	Spring Tension Plate	108302	OK-J2800		-
S	Spray Lube Base Plate	108300	OK-J3200		-
T	Lube Block (Upper)	-	OK-J0340		-
U	Lube Pad	1099-	OK-J0330		-
V	Lube Block (Lower)	768610	OK-J0310		-
W	Bracket Wear Plate (Upper)	-	OK-J3900		-
X	Roller Bracket Fixed Clamp	108314	OK-J3600		-
Y	Roller Bracket Clamp Plate	-	OK-J3700		-
Z	Bracket Adjustable Clamp	108313	OK-J4000		-
AA	Stripper Blade	109954	OK-J4420		-
BB	Top Roller Stripper Plate	-	OK-J4450		-

**Parts Have Been Discontinued -
Call For Inventory Status**

Parts can be ordered in minimum quantity of (3)

Ram Guidance System (RGS) Bulkhead Assembly (Spring Style)

