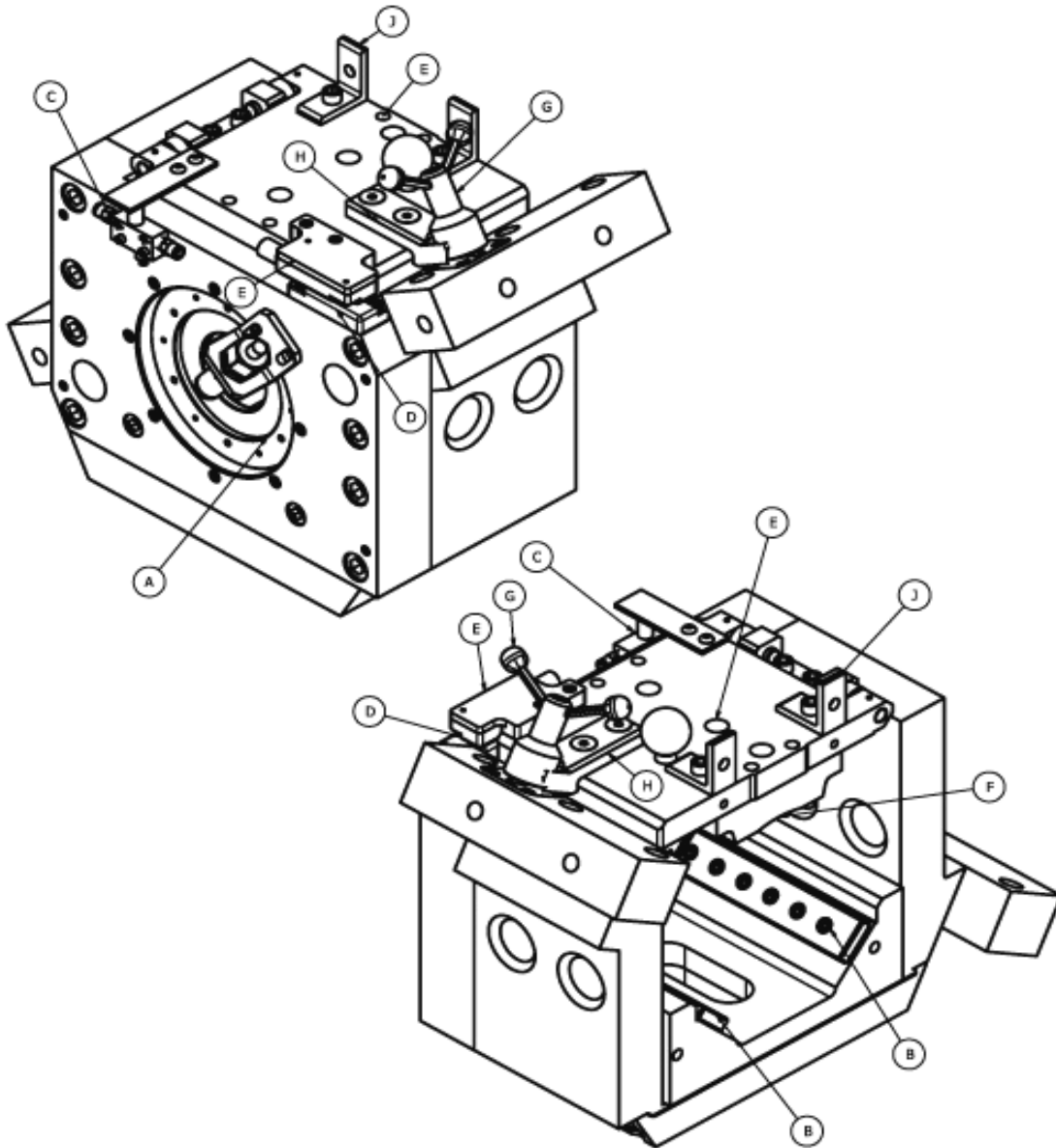


P -Top Load Tool Housing (New Style)

Key	Description	OKL Part No.	New Part Price	Repair Price
A	Stripper Adapter Plate - Wear Plate	OK-G9016X	-	
B	Die Rail	OK-G9035X		
C	Pneumatic Valve - Tool Pack	OK-G9042		
D	Sensor - Guard Contact Switch - Magnetic	OK-K4200		
E	Lid - Tool Pack	OK-G9041X		
F	Die Pad	OK-G9122		
G	" T " Handle With Ball Knobs	OK-G9055		
H	Latch - Tool Pack Lid	OK-G9047B		
J	Angle Bracket - Back Plate	OK-G9049		

[\(Please contact our Sales Department for more information\)](#)

Top Load Tool Housing (New Style)



Conventional Tool Pack Assembly

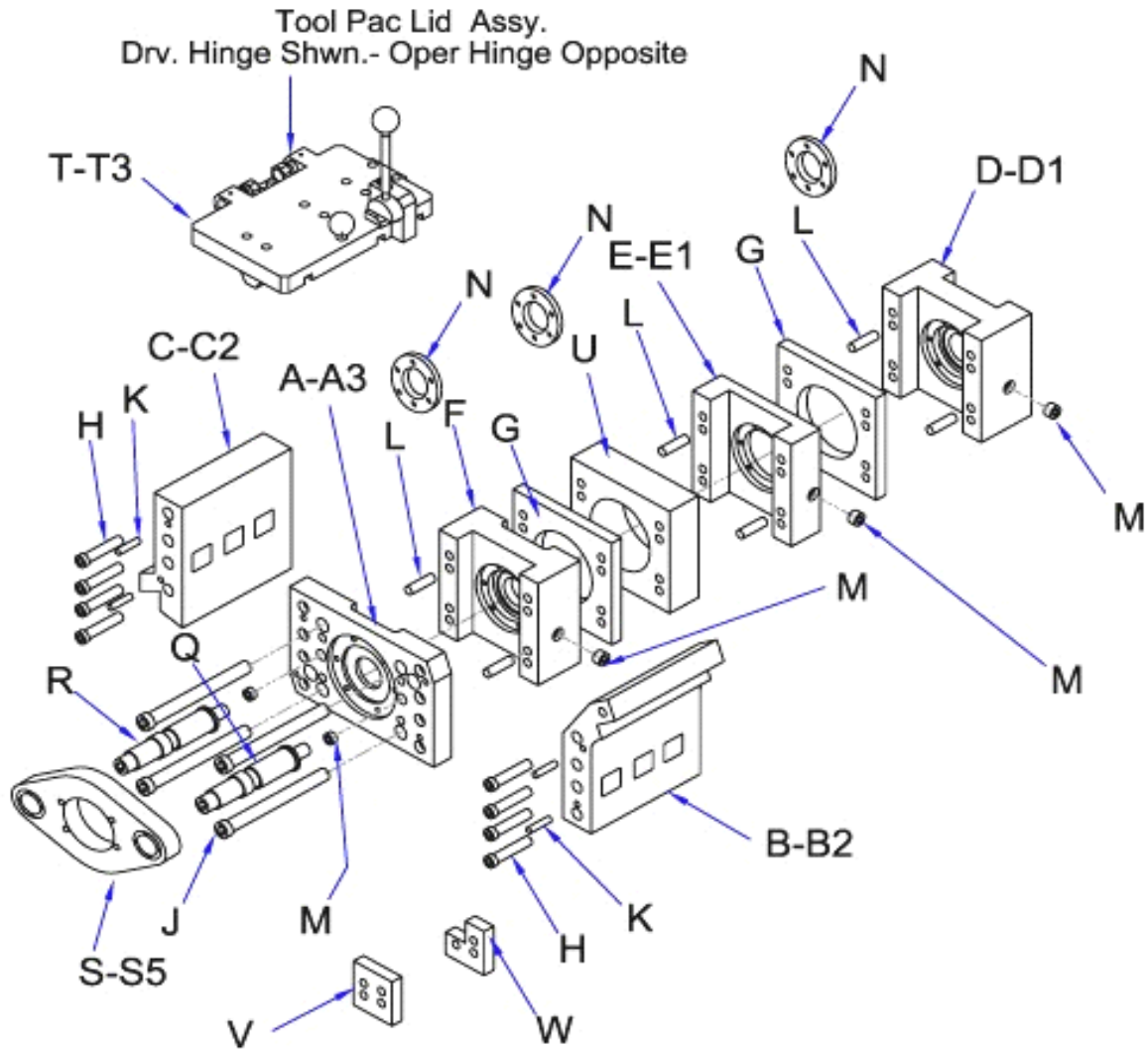
Complete Tool Pack Assembly

Conventional Tool Pack Assembly with Support Arms (18.5",21",24", 26.5") Includes all listed component parts. (Does <u>not</u> include Domer or Strain Rods.)	Call for pricing	
Tool Pack Assembly - 18.5" Stroke (Conventional)	OK-G1800	
Tool Pack Assembly - 21" Stroke (Conventional)	OK-G2600	
Tool Pack Assembly - 24" Stroke (Conventional)	OK-G2400	
Tool Pack Assembly - 26.5" Stroke (Conventional)	OK-G2700	

Tool Pack Plate Assembly Component Listing, See Illustration

Key	Description	OKL Part No.	New Part Price
A	Bolster Plate - 18-1/2" - 21"	OK-G1805	
A1	Bolster Plate - 24"	OK-G2405	
A2	Bolster Plate - Ball 18.5" - 21" (LH Threads)	OK-G1805A	
A3	(Call For Details)		
B	Operator Side Support Arm - 18-1/2"	OK-G1815	
B1	Operator Side Support Arm - 24"	OK-G2415	
B2	(Call For Details)		
C	Drive Side Support Arm - 18-1/2"	OK-G1810	
C1	Drive Side Support Arm - 24"	OK-G2410	
C2	(Call For Details)		
D	Redraw / 1st Container Plate - 18-1/2"	OK-G1820	
D1	Redraw / 1st Container Plate - 24"	OK-G2420	
E	2nd Container Plate - 18-1/2"	OK-G1825	
E1	2nd Container Plate - 24"	OK-G2425	
F	3rd Container Plate - 24"	OK-G2430	
G	Spacer Plate (26-1/2" ONLY)	OK-G2736	
H	Bolster Plate Bolts (Set of 8)	OK-G5310	
J	Container Plate Bolts (Set of 4)	OK-G5320	
K	Bolster Plate Dowel Pins (Set of 4)	OK-G5210	
L	Container Plate Dowel Pins (Set of 4)	OK-G5230	
M	Pipe Plugs (Set of 10)	OK-G5300	
N	Distributor Assy.	OK-G5808	
P	Coolant Block - 24" (not shown)	OK-G5330	
Q	Strain Rod – Operator Side (Please Specify Domer Type & Stroke)	Call	
R	Strain Rod – Drive Side (Please Specify Domer Type & Stroke)	Call	
S - S5	Domer Yoke Assembly	OK-G6100	
T	Tool Pack Lid Assembly - 24"	OK-G5800	
T1	Tool Pack Lid Assembly - 18.5"	OK-G1830	
T2	Tool Pack Lid Assembly - 21.0"	OK-G2690	
T3	Tool Pack Lid Assembly - 26.5"	OK-G2740	
U	Spacer 1.625 Thick	OK-G2635	
V	Cleats	Call	
W	"L" Blocks	Call	

Conventional Tool Pack Assembly

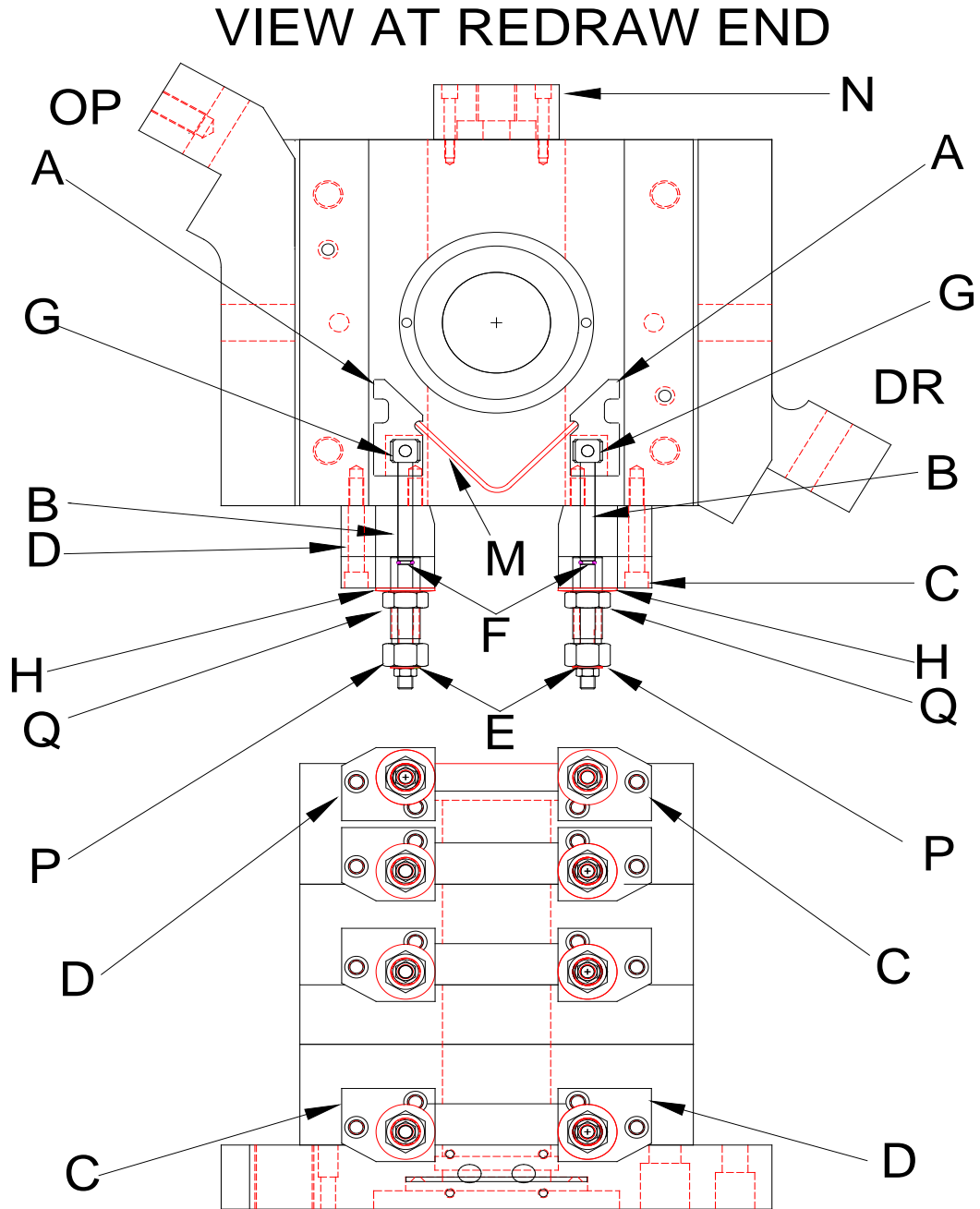


Conventional Tool Pack Wedge Assembly

Key	Description	OEM Part No.	OKL Part No.	New Part Price
A	Adjustment Wedge - Std.	42-1254-212	OK-G0100	
B	Eye Bolt	42-1254-214	OK-G4000	
C	Wedge Support Block 215 RH	42-1254-215	OK-G0300	
D	Wedge Support Block 216 LH	42-1254-216	OK-G0400	
E	Conical Spring Washer	AM201005	OK-G0500	
F	O-Ring	N0674-070	OK-G5010	
G	Dowel Pin	-	OK-G0700	
H	Wedge Large Spring Washer	42-1254-219	OK-G4900	
M	Wedge Spreader	42-1254-213	OK-G1200	
N	Lubrication Block	42-1254-319	OK-G1300	
P	Wedge Adjusting Collar	42-1254-221	OK-G0090	
Q	Adjusting Collar Jam Nut	42-1254-220	OK-G1610	
S	L-Block (Not Shown)	-	OK-G1900	
T	Coolant Distributor Assembly (Not Shown)	-	OK-G5808	
A,B, G	Wedge Eye Bolt Assembly	-	OK-G0046A	
-	Wedge Assembly (REF Support Block OK-G0300)	-	OK-G2305	
-	Wedge Assembly (REF Support Block OK-G0400)	-	OK-G2310	
U	Spring Plunger		OK-G5683	

Conventional Tool Pac Rework	Price
Metal Spray Plates to specifications, grind, align, pin, and reassemble	Call for quote
Chrome and Re-grind Support Arms	Call for quote
Regrind Support Arms Only	Call for quote
Modify Hole Patterns for Ironing Die Cover	Call for quote
Machine new style Cup Locator mounting holes	Call for quote
Re-grind existing Wedges (Set of 8)	Call for quote
Align and Pin Plates together	Call for quote

Conventional Tool Pack Wedge Assembly



OKL Conventional Tool Pack Lid Assembly

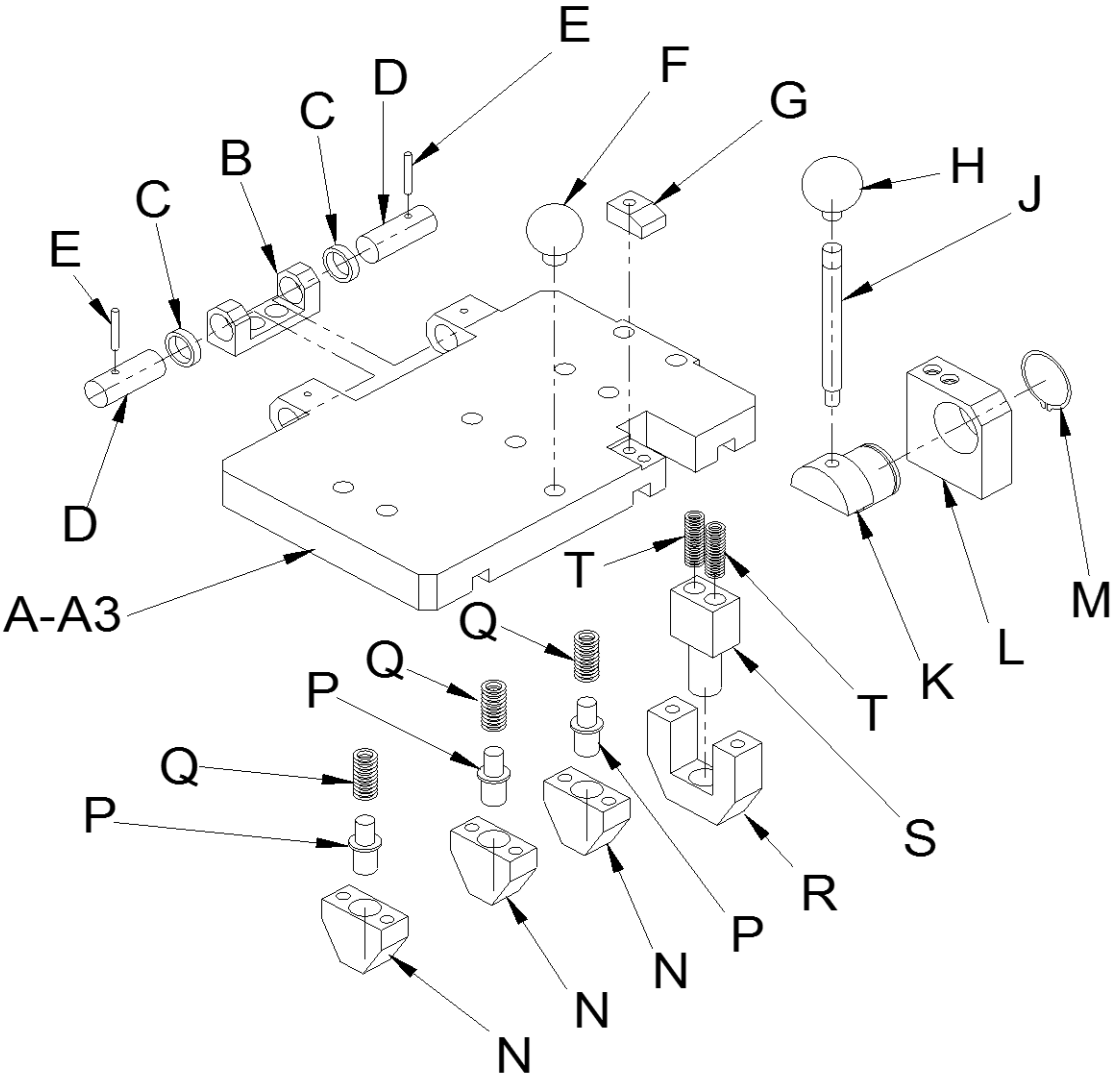
Tool Pack Lid Assembly	
------------------------	--

Tool Pac Lid Assembly Component Listing, See Illustration

Key	Description	OKL Part No.	New Part Price
A	Tool Pack Lid - 18-1/2" Drive Side Hinging	OK-G1831	
A1	Tool Pack Lid - 21" Operator Side Hinging	OK-G8058A	
A2	Tool Pack Lid - 24" Drive Side Hinging	OK-G5801	
A3	Tool Pack Lid - 26.5" Drive Side Hinging	OK-G2741	
B	Hinge Block - 24"	OK-G5590	
C	Locking Collar	OK-G5520	
D	Hinge Pin	OK-G5600	
E	Roll Pin	OK-G5530	
F	Cover Lid Ball	OK-G5500	
G	Locking Block	OK-G5650	
H	Handle Ball	OK-G5510	
J	Handle	OK-G5640	
K	Cam	OK-G5630	
L	Cam Housing - Operator Side Hinging	OK-G5621	
L1	Cam Housing - Drive Side Hinging	OK-G5622	
M	Snap Ring	OK-G5560	
N	Die Spring Retainer - Single - 7.25 dia Die Container	OK-G5660	
N1	Die Spring Retainer - Single - 6.00 dia Die	OK-G5660A	
N2	Die Spring Retainer - Double - 7.25 dia Die Container	OK-G5662	
N3	Die Spring Retainer - Double - 6.00 dia Die	OK-G5663	
P	Die Spring Plunger - 7.25 dia Die Container	OK-G5661	
P1	Die Spring Plunger - 6.00 dia Die	OK-G5661A	
Q	Die Spring - Single or Double Retainer	OK-G5550	
R	Die Spring Retainer - Redraw	OK-G5670	
S	Die Spring Plunger - Redraw	OK-G5671	
T	Die Spring - Redraw	OK-G5540	

Note: Drive Side Hinge Mounting Is Shown, Operator Side Is Opposite

OKL Conventional Tool Pack Lid Assembly



NOTE: DRIVE SIDE HINGE SHOWN, OPERATOR SIDE (OPPOSITE)

Rexam (ANC Style) Tool Housings Rework

Key	Description	OKL Part No.	New Part Price	Repair Price
A	Rexam (ANC) Top Load Tool Housing			

Rexam (ANC Style) Tool Housings Rework

