

Q - OKL Servo Driven Rotary Cup Feed (SRCF) System

OKL Direct Drive Servo Driven Rotary Cup Feed (SRCF) Includes all component mechanical and electrical parts. P/N OK-	
---	--

Q - OKL Servo Driven Rotary Cup Feed (SRCF) System Auxiliary Encoder Assembly (Belt Driven)

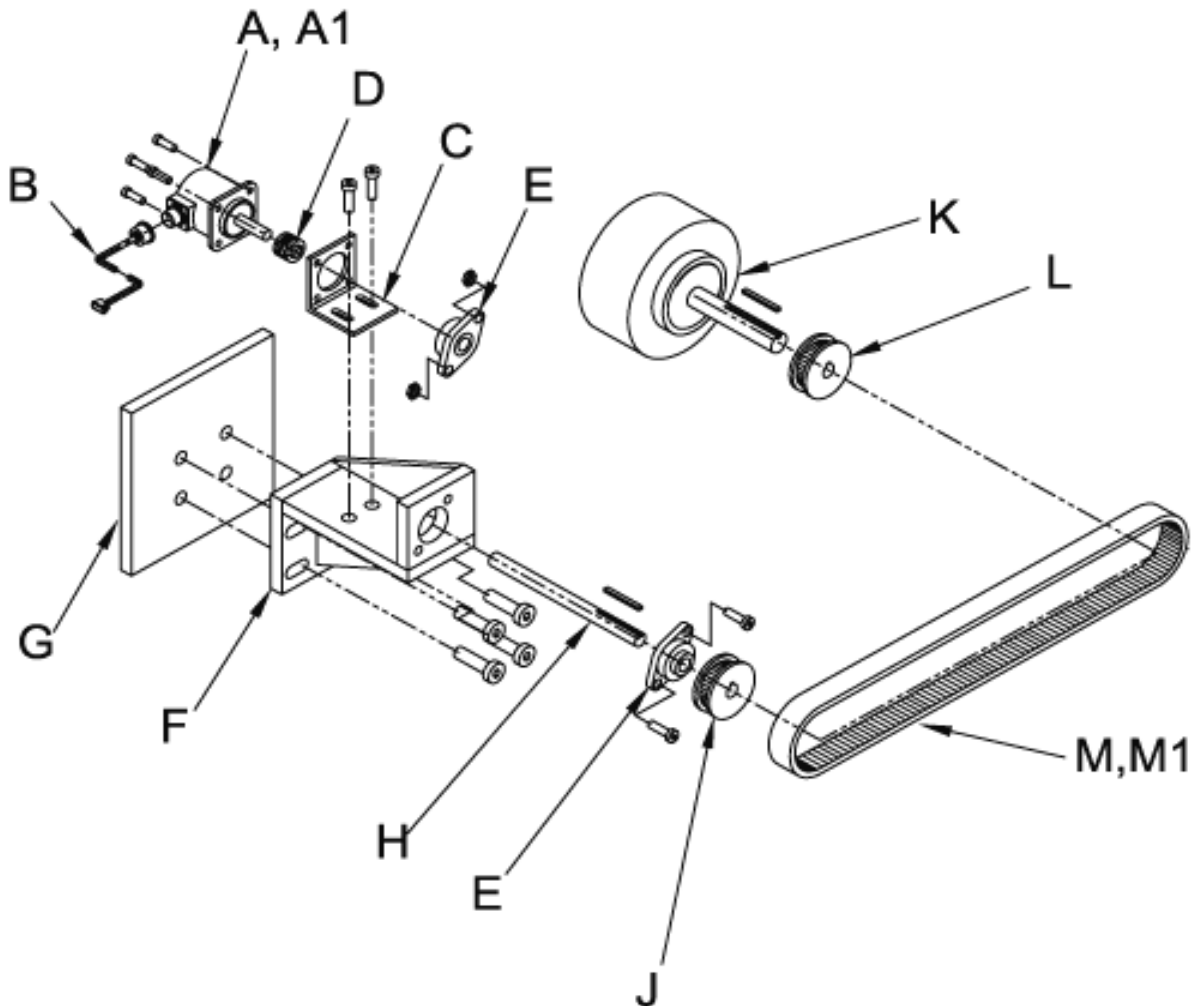
Complete New Servo Driven Auxiliary Encoder Assembly (OK-R1050)	
---	--

Auxiliary Encoder Assembly Component Listing, See Illustration

Key	Description	OKL Part No.	New Part
A	Auxiliary Encoder - Gen 2	OK-R2041	
A1	Auxiliary Encoder - Gen 3 (digital)	OK-R4215	
B	Cable Set	OK-R4210C	
C	Encoder Mount	OK-R0104	
D	Encoder Coupling (Flex Coupling)	OK-R2008	
E	Flange Bearing	OK-R2007	
F	Encoder Bracket	OK-R0102	
G	Mounting Plate	OK-R0103	
H	Encoder Shaft	OK-R0034	
J	Encoder Timing Pulley	OK-R2014	
K	Crank Hub Assembly	OK-R0210	
L	Crank Timing Pulley	OK-R2003	
M	Encoder Timing Belt	OK-R2042	
M1	Encoder Timing Belt	OK-R2042X	
N	Guide – Servo Motor	OK-RXXXX	

Price Information for Complete SRCF Packages can be Seen Above

OKL Servo Driven Rotary Cup Feed (SRCF) System Auxiliary Encoder Assembly



OKL Servo Driven Rotary Cup Feed (SRCF) System Track Support Arm Assembly

Complete New Track Support Arm Assembly (OK-R1060)

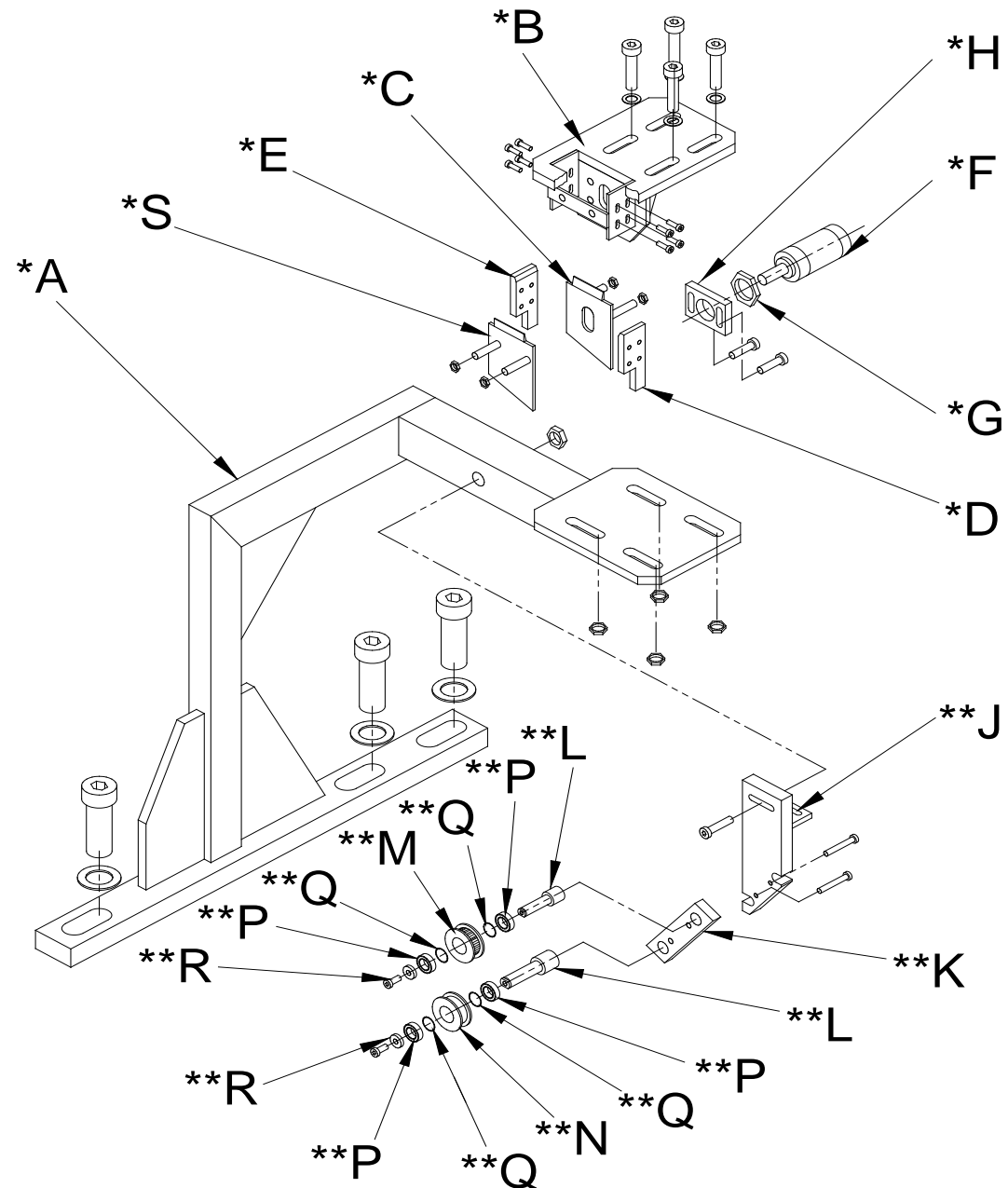
Track Support Arm Assembly Component Listing, See Illustration

Key	Description	OKL Part No.	New Part Price
*A	Track Support Arm	OK-R0025	
*B	Cup Drop Housing	OK-R0112	
*C	Cup Drop Back Plate	OK-R0085	
*D	Guide Plate (Operator Side) (Thickness Varies With Cup Diamete	OK-R0083	
*E	Guide Plate (Drive Side) (Thickness Varies With Cup Diameters)	OK-R0084	
*F	Air Cylinder	OK-R2017	
*G	Air Cylinder Jam Nut	OK-R2002	
*H	Air Cylinder Mounting Plate	OK-R0036	
**J	(Call For Details)		
**K	(Call For Details)		
**L	(Call For Details)		
**M	(Call For Details)		
**N	(Call For Details)		
**P	(Call For Details)		
**Q	(Call For Details)		
**R	(Call For Details)		

Note: Parts marked * are used on "Belt Driven" Servo Rotary Cup Feed
Note: Parts marked ** are used on "Direct Drive" Servo Rotary Cup Feed

OKL Servo Driven Rotary Cup Feed (SRCF) System Track Support Arm Assembly

- * Parts used on both "Belt Driven" & "Direct Drive"
- ** Parts used on "Belt Driven" Only



OKL Servo Driven Rotary Cup Feed System Cam and Cup Locator Assembly

Complete New Cam and Cup Locator Assembly (OK-R1000)	
--	--

Cam and Cup Locator Assembly Component Listing, See Illustration

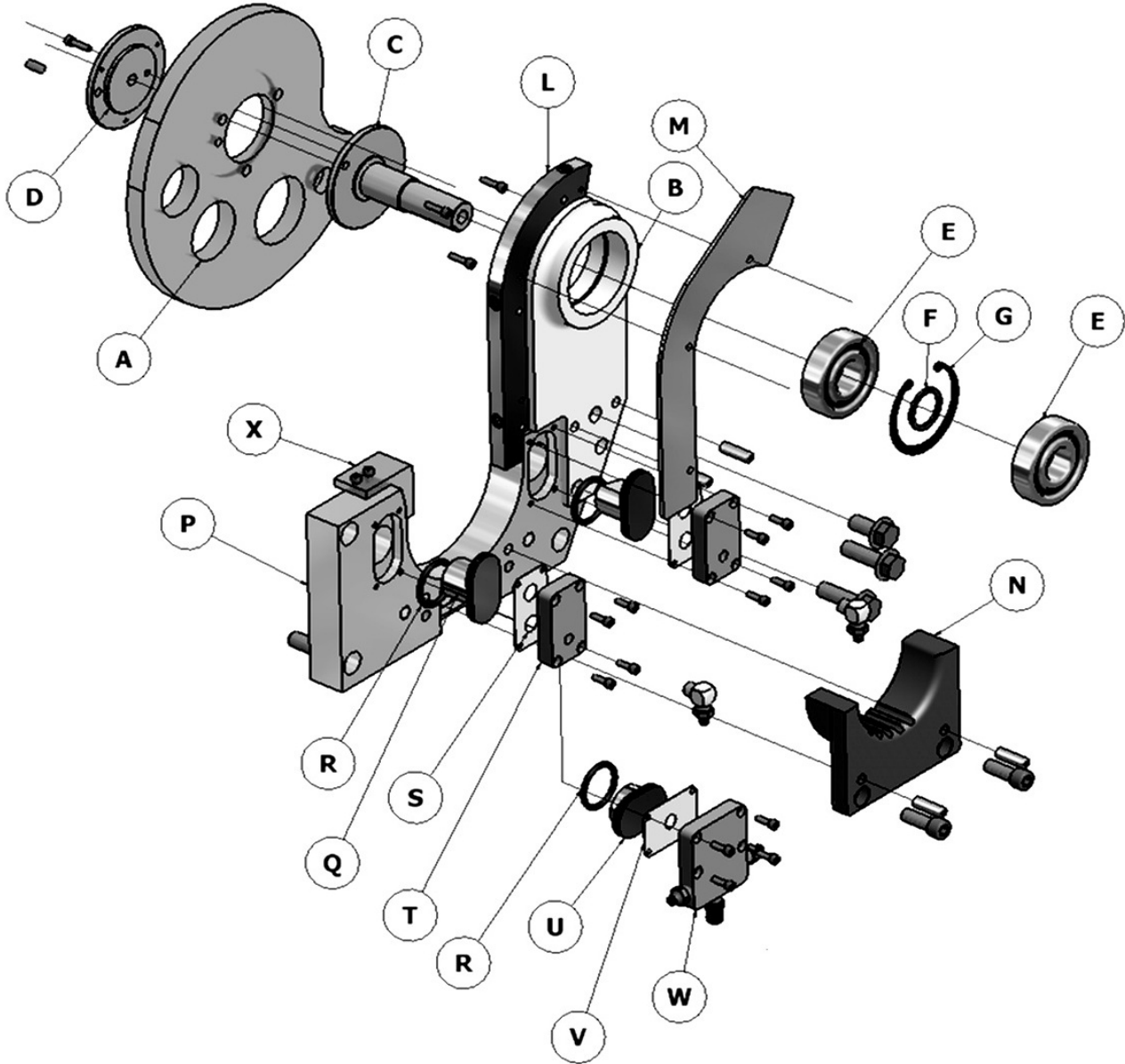
Key	Description	OKL Part No.	New Part Price
***A	Cam - 3.523 OD Cup	OK-R0001	
***A1	Cam - 3.406 OD Cup	OK-R0002	
***A2	Cam - 3.648 OD Cup	OK-R0125	
***A3	Cam - 3.132 OD Cup	OK-R0131	
B	Cam Support Arm (Belt Drive)	OK-R0003	
C	Cam Spindle	OK-R0007	
D	Cam Spindle Cap	OK-R0072	
E	Cam Bearing	OK-R2009	
F	Cam Bearing Spacer	OK-R0018	
G	Snap Ring	OK-R2010	
H	Cam Timing Pulley	OK-R2013	
J	Taper Lock Bushing	OK-R2057	
K	Spindle Washer	OK-R0035	
*L	Inner Guide - 3.523 OD Cup	OK-R0060	
*L1	Inner Guide - 3.406 OD Cup	OK-R0006	
*L2	Inner Guide - 3.648 OD Cup	OK-R0127	
*L3	Inner Guide - 3.132 OD Cup	OK-R0139	
*M	Inner Retainer - 3.132 OD x 1.625 Tall Cup	OK-R0012	
*M1	Inner Retainer - 3.132 OD x 1.625 Tall Cup	OK-R0140	
*M2	Inner Retainer - .310 offset	Ok-R0096	
*M3	Inner Retainer - .269 offset	Ok-R0145	
*M4	Inner Retainer - .470 offset	OK-R0150	
*M5	Inner Retainer - .220 offset	Ok-R0162	
*N	Cup Locator - 3.523 OD Cup	OK-R0027	
*N1	Cup Locator - 3.406 OD Cup	OK-R0062	
*N2	Cup Locator - 3.648 OD Cup	OK-R0124	
*N3	Cup Locator - 3.132 OD Cup	OK-R0129	
**P	*Cup Locator Mounting Plate (Piston Type, Top Loading) (Shown)	OK-R0105	
P1	*Cup Locator Mounting Plate (Without Pistons) (Conventional)	OK-R0119	
***Q	Side Piston	OK-R0106	
***R	Piston O-Ring	OK-R2056	
***S	Side Piston Gasket	OK-R0115	
***T	Side Piston Retainer	OK-R0107	
***U	Bottom Piston	OK-R0108	
***V	Bottom Piston Gasket	OK-R0116	
***W	Bottom Piston Retainer	OK-R0109	
X	Wear Pad (3.406 Dia. (NOT SHOWN))	OK-R0117	
X1	Wear Pad (3.122 Dia. (NOT SHOWN))	OK-R0166	
X2	Wear Pad (5.523 Dia. (NOT SHOWN))	OK-R0167	

* Are Cup Size Specific

** Because many different variations exist for Tool Housings, call us with your Tool Housing

*** Piston Parts Used On OK-R0105 Cup Locator Mounting Plate

OKL Servo Driven Rotary Cup Feed System Cam and Cup Locator Assembly



OKL Servo Driven Rotary Cup Feed System Gen. - 4 Chain Drive w/ Isolator

Gen 3 Direct Drive Servo Drive Rotary Cup Feed (OK-R4000)	
--	--

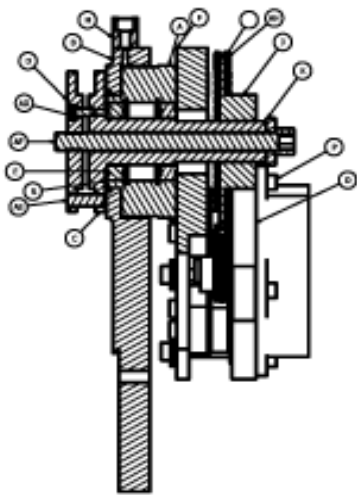
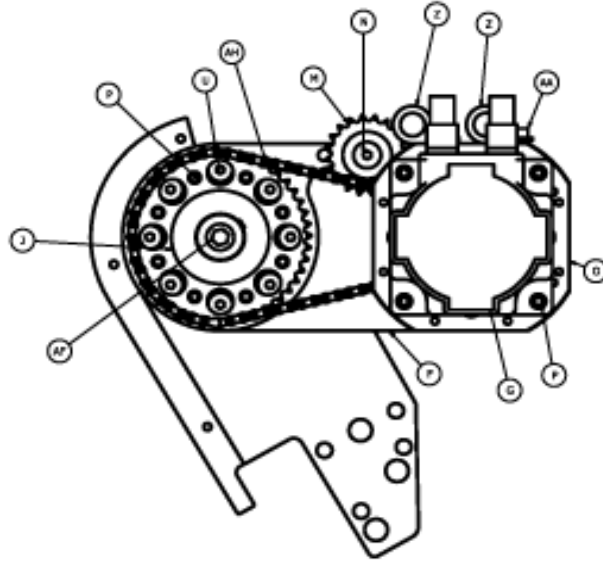
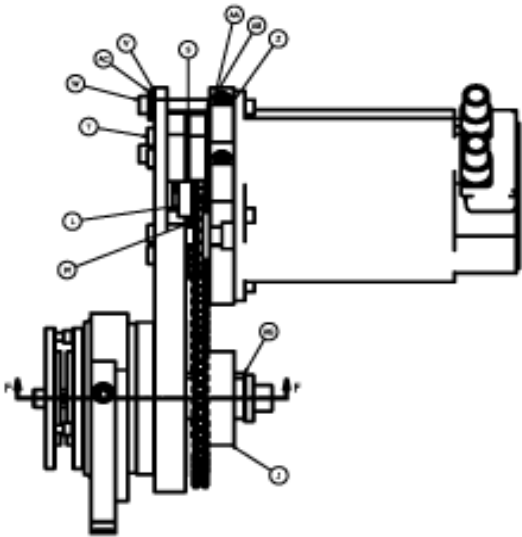
Direct Drive Cam and Cup Locator Assembly Component Listing, See Illustration

Key	Description	OKL Part No.	New Part Price
A	Cartridge - Cam Brg.	OK-R4104A	
B	Support Arm	Reference	
C	Cam - Spindle	OK-R0107	
D	Cap - Spindle	OK-R0072	
E	Ball Brg. Cam Spindle	OK-R4105A	
F	Motor Mount	OK-R4106A	
G	Servo Motor	SXXXN61	
H	Inner Guide	Reference	
J	Sprocket - Cam	OK-R4107A	
K	Washer, Spacer	OK-R0035A	
L	Sprocket, Motor	OK-R4108A	
M	Idler Sprocket	OK-R4111A	
N	Shoulder Bolt - .375 x 0.75 Lg.		
O	Adapter - Motor Mount	OK-R4112A	
P	SHCS - #10-24 x 0.75 Lg.		
Q	SHCS - .25-20 x 0.375 Lg.		
R	Snap Spring	OK-R4113A	
S	Isolator Mount	OK-R4110	
T	SHCS - .25-20 x 0.75 Lg.		
U	FHCS - .25-20 x 0.875 Lg.		
V	Seal - Safety Catch	OK-R4109A	
W	Shoulder Bolt - .250 x 1.25 Lg.		
X	Clamp	FIT0116	
Y	Seal - Motor Mount	OK-R4115A	
Z	O-Ring - Face Seal	OK-R4116A	
AA	SHCS - # 10-24 x 0.38 Lg.		
AB	Washer - #10 SAE		
AC	Washer - .25 SAE		
AD	SHCS - #10-24 x 0.375 Lg.		
AE	Dowel Pin - .25 Dia. X 0.75		
AF	SHCS - .375-24 x 4.50 Lg.		
AG	Key	OK-R2005	
AH	Chain - # 25 Inside Link		
	Chain - # 25 Outside Link		

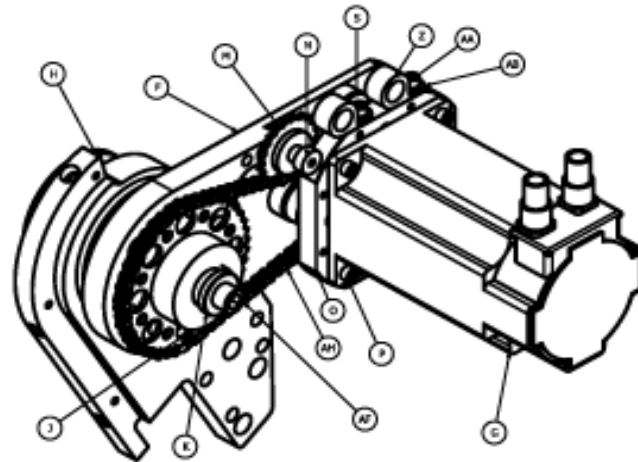
* Piston Parts Used On OK-R0105 Locator Mounting Plate

** Because Many Different Variations Exist for Tool Housings, Call Us With Your Needs

OKL Servo Driven Rotary Cup Feed System Gen. - 4 Chain Drive w/ Isolator



SECTION F-F
SCALE 1



OKL Servo Driven Rotary Cup Feed (SRCF) System Back Plate Assembly (Housing Pivot)

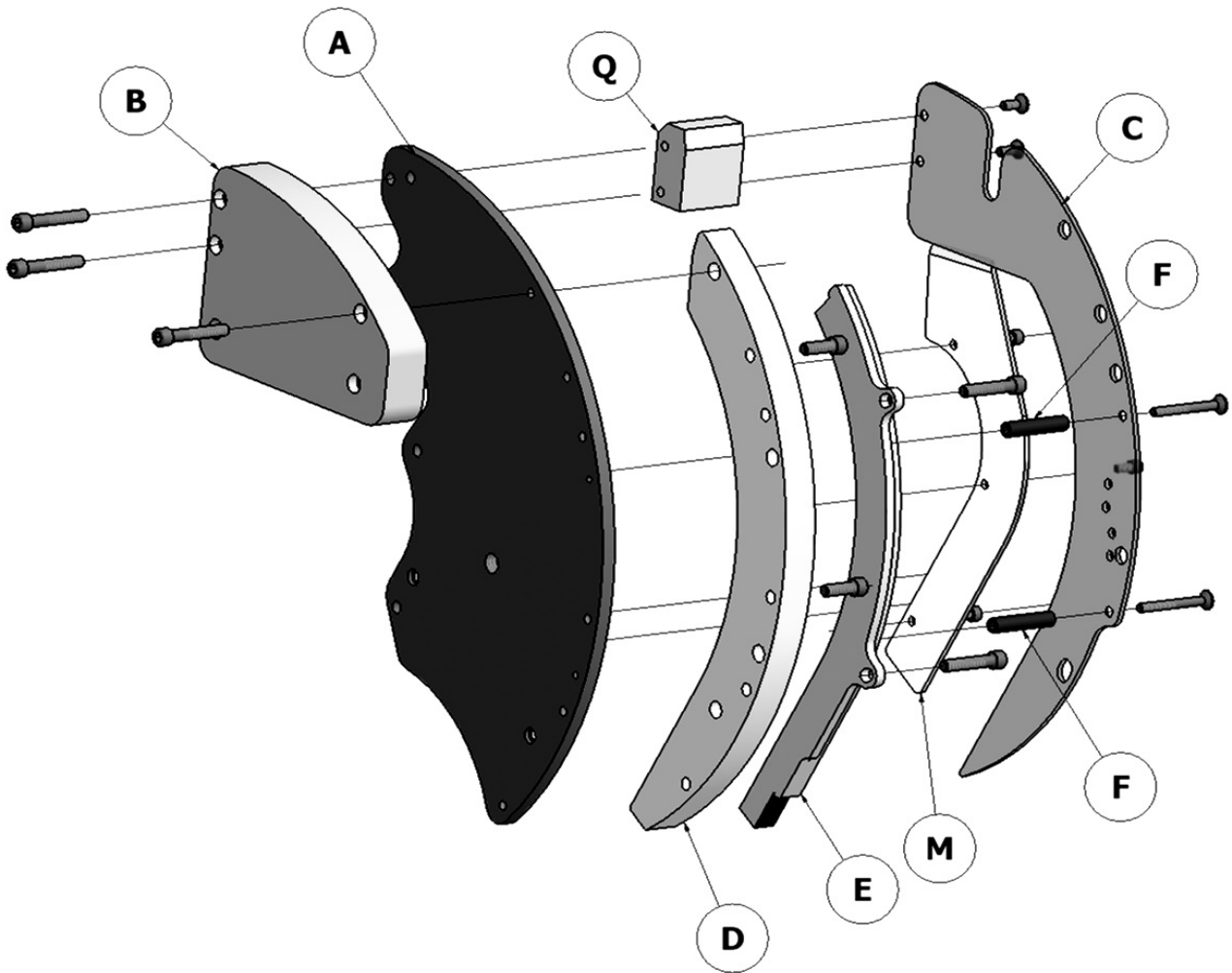
Servo Driven Rotary Cup Feed Assembly	
--	--

Back Plate Assembly Component Listing, See Illustration

Key	Description	OKL Part No.	New Part Price
A	Back Plate	Call	-
B	Back Plate Counterweight	Call	-
C	Outer Retainer	Call	-
D	Outer Guide - 3.523 OD Cup (Top Loading Tool Housing)	Call	-
D1	Outer Guide - 3.523 OD Cup (Conventional Tool Housing)	Call	-
D2	Outer Guide - 3.406 OD Cup (Top Loading Tool Housing)	Call	-
D3	Outer Guide - 3.406 OD Cup (Conventional Tool Housing)	Call	-
D4	Outer Guide - 3.648 OD Cup (Top Loading Tool Housing)	Call	-
D5	Outer Guide - 3.132 OD Cup (Top Loading Tool Housing)	Call	-
D6	Outer Guide - 3.648 OD Cup (Conventional Tool Housing)	Call	-
D7	Outer Guide - 3.016 OD Cup (Conventional Tool Housing)	Call	-
E	Brush Guide	Call	-
* F	Guide Stand-Off (1.625 Long)	OK-R0038	
F1	Guide Stand-Off (1.285 Long)	OK-R0039	
F2	Guide Stand-Off (1.500 Long)	OK-R0170	
G	Proximity Switch-Sourcing (Gen 2)	OK-R5390	
J	Back Plate (Front Loading Tool Housing)	OK-R0046	
K	Back Plate Pivot Shaft (Front Loading Tool Housing)	OK-R0047	
L	Shoulder Bolt	OK-R2070	
M	Back Plate Stop Housing	OK-R0051	
N	Back Plate Stop	OK-R0052	
P	Spring Plunger	OK-R2071	
R	Sensor Bracket	OK-R0031	
Q	Stand Off Block		

OKL Servo Driven Rotary Cup Feed (SRCF) System Back Plate Assembly (Housing Pivot)

*Cup Height and Diameter Specific: Call for assistance



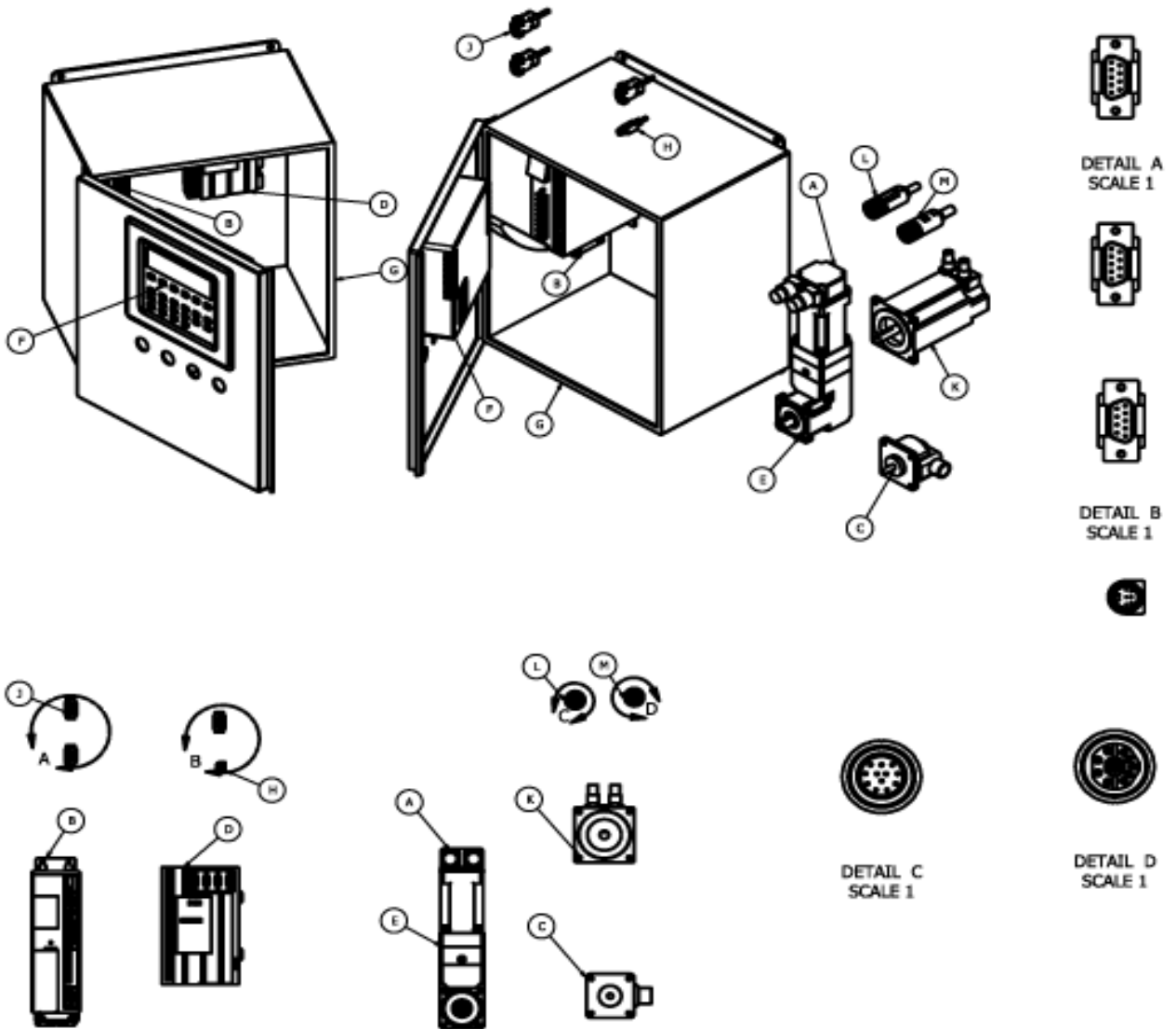
OKL Servo Driven Rotary Cup Feed System Servo Cup Feed Electrical Parts Listing

Key	Description	OKL Part No.	New Part Price	Repair Price
A	Servo Motor - Gen-3 RCF (AKM22E-CKG NR-00)	OK-R4200		
B	Servo Amplifier / Motor Drive Gen-4 Cup Feed Program	OK-R4205		
C	Encoder	OK-R4215		
D	Trio-Motion controller Gen-4 Program Loaded	OK-R4225		
E	Right Angle Planetary Gearhead Ass'y	OK-R4230		
F	Data Panel - Rotary Cup Feed	OK-R4235		
G	Control Enclosure - Rotary Cup Feed	OK-R4245		
H	Communication Cable - Motion Control	OK-R4285		
J	Communication Cable - 9 Pin Ea. End for Drive/Amp.	OK-R4300		
K	AMK42E Series - Brushless Servo Motor	SXXXN61		
L	Feedback Cable - Rotary Cup Feed - 12 Pin	CF-SS-RHAE		
M	Power Cable - Rotary Cup Feed - 8 Pin	CP-SS-A1HE		

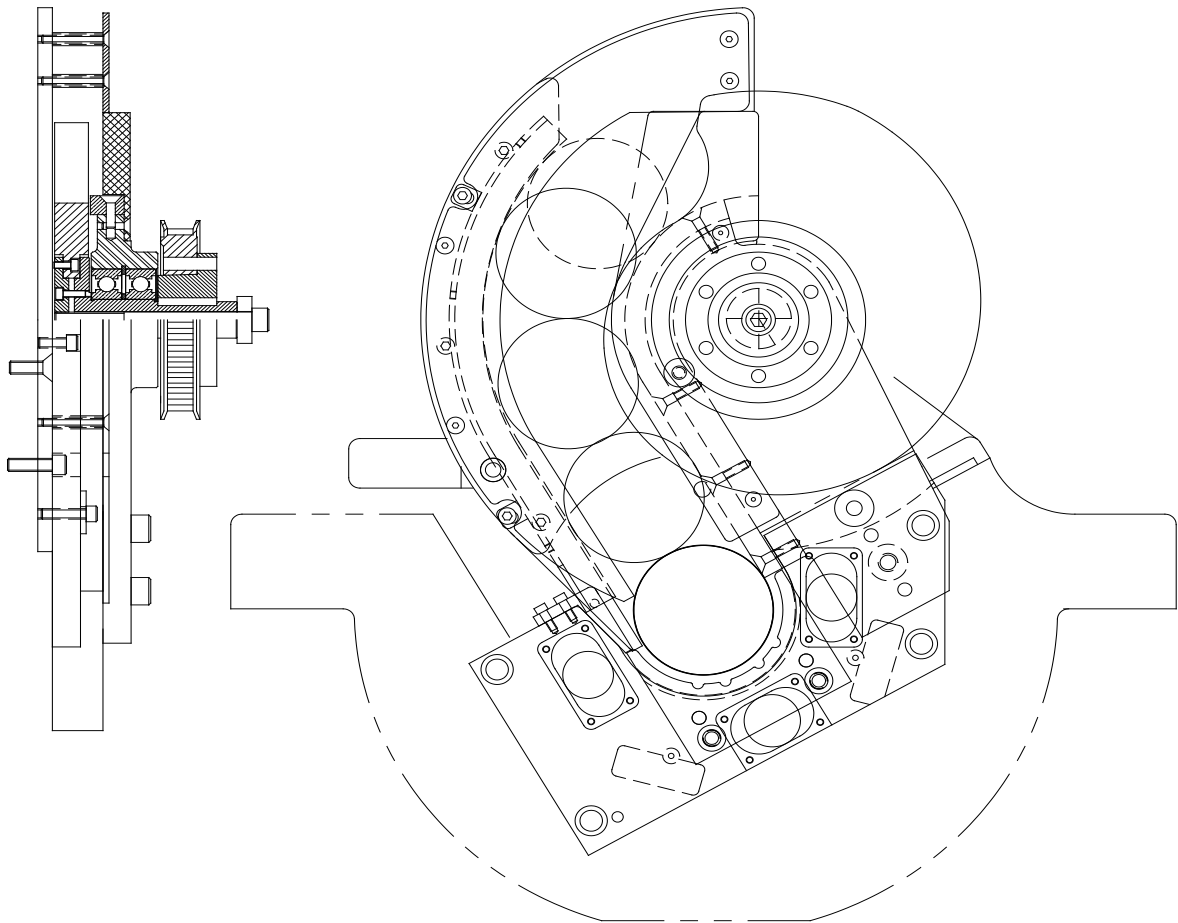
Upgrade Packages - Call for Pricing

RCF (Gen-4) SRCF Elec. Electrical Package Gen 4	RCF Gen 4-01	Call	
RCF (Gen-3) SRCF Elec. Package Gen 3 - Electronics	RCF Gen 3-01	Call	
RCF (Gen-3) Upgrade From OEM Mechanical to OKL Gen-3 Brackets	RCF Gen 3-01A	Call	
RCF (Gen-3) Upgrade From OKL Gen-2 SRCF to Gen-3 Brackets	RCF Gen 3-01B	Call	

OKL Gen 3 Rotary Cup Feed System Control Box Assembly



OKL Servo Driven Rotary Cup Feed (SRCF) System Rotary Cup Feed Size Conversion Kit



RCF Size Change Conversion Kits Are Quoted Separately Per Customer Cup Requirements

Notes: