

R - Redraw Idler Assembly

Standard or Highspeed Redraw Idler Assembly	OK-C1200	
Includes all components except Cam Followers (103803), which must be supplied by customer.		

Redraw Idler Assembly Component Listing, See Illustration

Key	Description	OEM Part No.	OKL Part No.	New Part Price	Repair Price
A1	Redraw Idler (Highspeed) Steel	112733	OK-C0500		
A2	Redraw Idler (Highspeed) Aluminum	-	OK-C0505		-
B	Redraw Idler Positioner	102937	OK-C0200		-
C	Bearing Cartridge	102353	OK-C0300		-
D	Standard Speed Idler Shaft	102355	OK-C0400		-
D1	High Speed Idler Shaft	109591	OK-C0405		-
E	Cam Follower	103803	OK-C1100		-
F	Master Shim (.200" Thick)	-	OK-i2500		-
G	Shim Pack**	114682	OK-i2550		-
H	Bearing	700050	OK-C0600		-
J	Bearing Snap Ring	770040	OK-C0700		-
K	Cartridge O-Ring	770900	OK-C0800		-
L	Cartridge Face O-Ring	770920	OK-C0900		-
M	Bearing Cartridge Cap	114683	OK-C1000		-
N	Divider Block - 3	768970	OK-C1300		-
N1	Divider Block - 4	-	OK-C1310		-
Q	Hex Nut 1 3/8 - 12	-	OK-C1110		-

We occasionally have reconditioned parts for sale, Call for pricing and delivery.

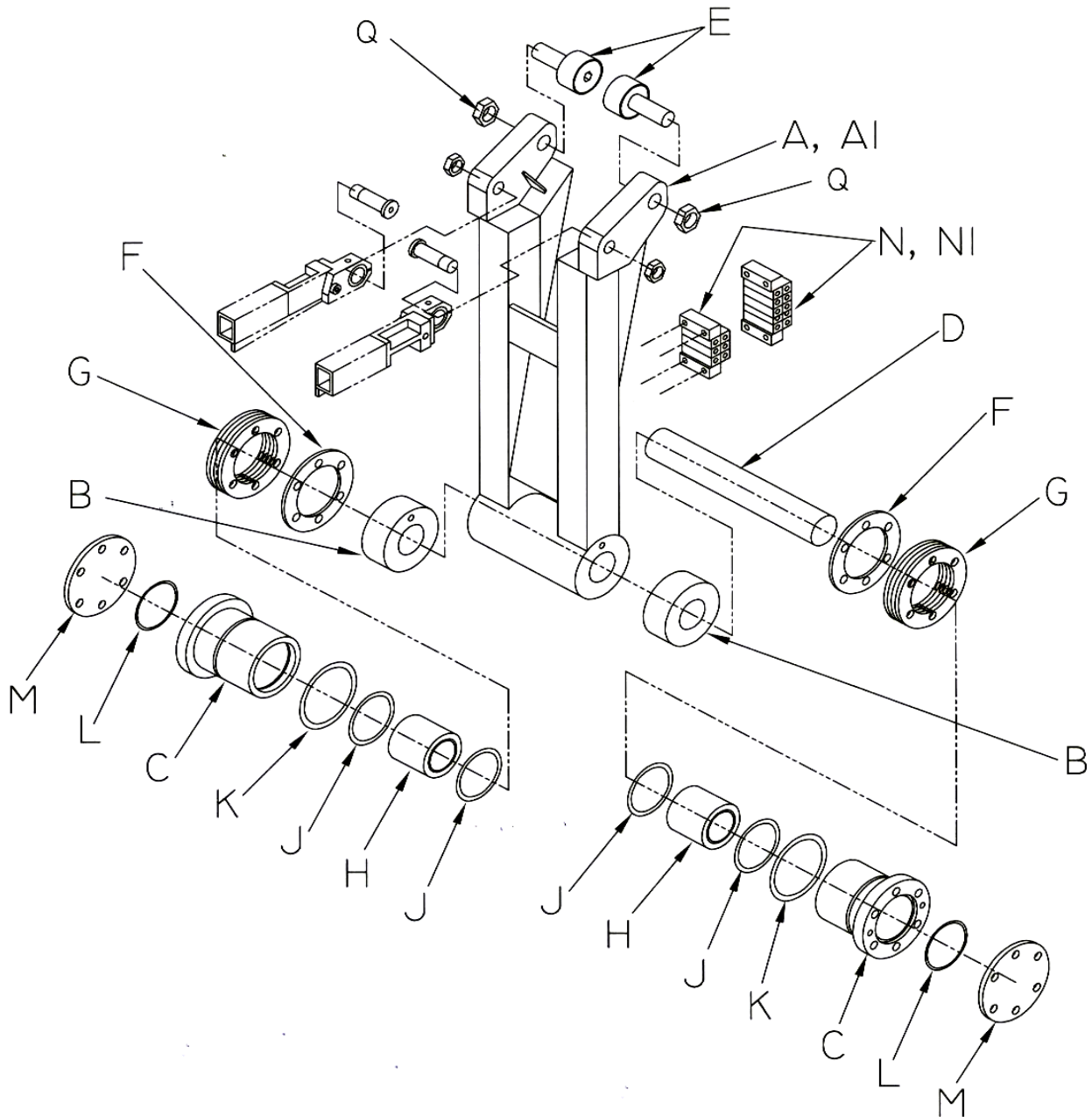
SNK to OKL Idler Conversion

Key	Description	OKL Part No.	New Part Price	Repair Price
C1	SNK to Ragsdale Bearing Cartridge	OK-C0350		
G1	SNK Shim Pack	OK-i2500		
P	Conversion Kit SNK - Standard	OK-C2000		

****Shim Pack Includes:**

Qty.	Description	OKL Part No. (STD)	OKL Part No. (SNK)	New Part Price	Repair Price
1	.200" Thick Master Shim	OK-i2500	OK-i2510		-
2	.010" Thick Shim	OK-i2540	OK-i2541		-
4	.005" Thick Shim	OK-i2530	OK-i2531		-
4	.003" Thick Shim	OK-i2520	OK-i2521		-

Redraw Idler Assembly



Redraw Idler (High Speed Lubrication)

Key	Description	OKL Part No.	New Part Price	Repair Price
A	Redraw Idler Ass'y	OK-C1200		
B	Idler Shaft - High Speed	OK-C0405		
C	Bearing Cartridge Cap - High Speed	OK-C1050		
D	" T " Adapter 1/4" NPT Female (3) Places	FIT0073		
E	Straight Fitting 1/4" NPT - 1/4" Comp.	FIT0072		
F	Nipple 1/4" x 1.5" lg.	FIT0097		
G	Hose 1/4" - Nylon	N04		
H	Coupling 1/4" NPT (F) To 1/4" NPT (F)			
J	90 Degree Fitting 1/4" NPT Female (2) Places			
K	Nipple 1/4" x 3 1/2" lg.			
L	Adapter 1/8" NPT (M) To 1/4" NPT (M)			
M	Elbow Fitting 1/4" NPT - 1/4" Comp.	FIT0052		
N	Injector MSP-3-05T-40L-40S	OK-C1300		
O	Connector 1/8" - Pushlock	FIT0028		
P	90 Degree Connector 1/8" Pushlock	FIT0055		
Q	Ployflow Tube 1/8"	OK-L0010		
R	Line Clamp - 1			
S	Line Clamp - 2			
T	8-32 Self Tapping Screw			
U	1/4" O.D. Hydraulic Tubbing	1/4" HYD		
V	Injector (Not Shown)	OK-L0025		
W	High / Low Switch (Not Shown)	OK-P0500		
X	Lube Block (Not Shown)	OK-L0050		

Redraw Idler (High Speed Lubrication)

