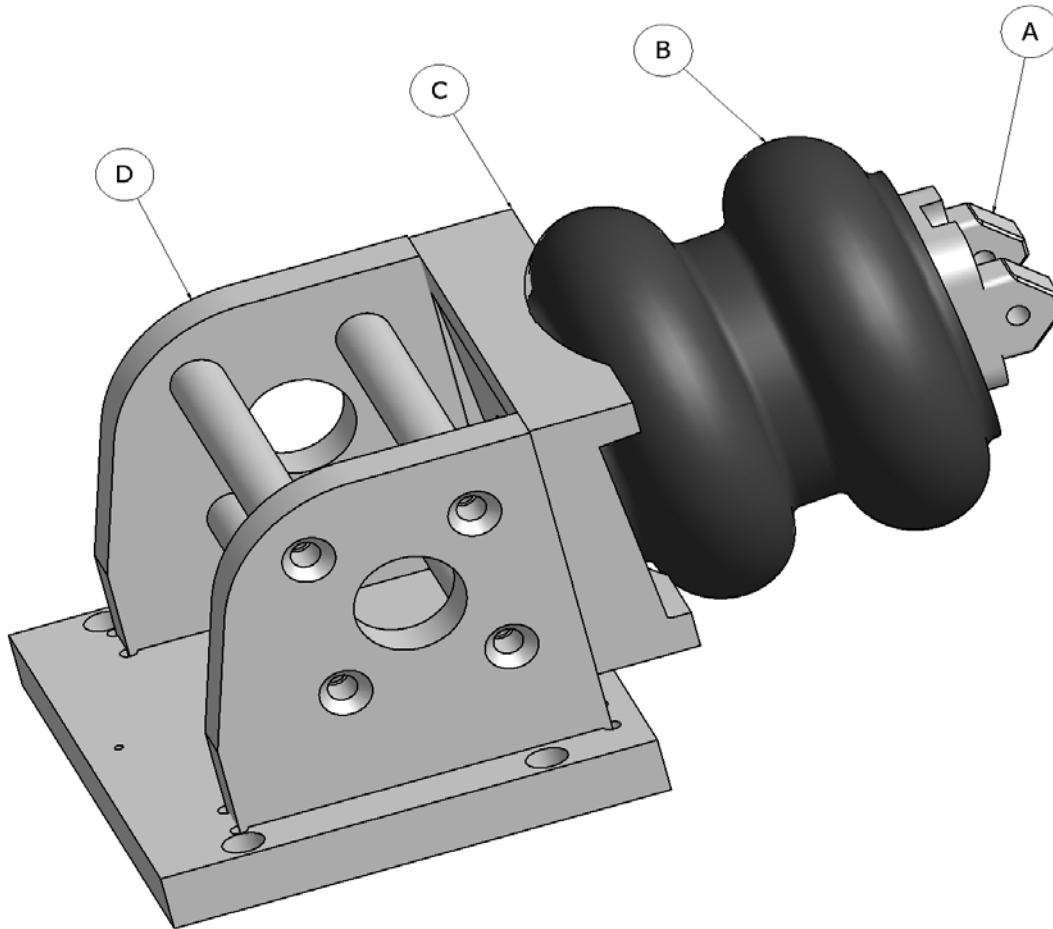


T - Redraw Air Bag Assembly

Retro-Fit Redraw Air Bag Assembly with Trunnion Mounting	OK-F0500A	
Includes .All Component Parts.		

Key	Description	OEM Part No.	OKL Part No.	New Part Price	Repair Price
A	Air Bag - Push Rod Adapter	-	OK-F0505		N/A
B	Air Bag	-	OK-F0510		N/A
B	Air Bag - 8.6	-	OK-F0510A		N/A
C	Air Bag - Trunnion Mount Adapter	-	OK-F0515		N/A
D	Assembly - Air Bag Trunnion Mount	-	OK-F0520		N/A
-	Air Bag Assembly w/o Trunnion Mt.	-	OK-F0500		N/A
-	Air Bag Assembly with Trunnion Mt.	-	OK-F0500A		N/A
-	Air Bag Assembly w/Trunnion Mt. (8.6 Dia not for LGS)	-	OK-F0500B		

Redraw Air Bag Assembly



Note: Call for application's for use with:

- 1) Double spring Pushrod (Steel).
- 2) Speed over 300 CPM (Bev) with 7th generation cams.
- 3) Speed over 220 CPM (Bev) with 6th generation cams.
- 4) Air pressure below 90 PSI.

Call for reference setting lengths.

Air Cylinder Assembly

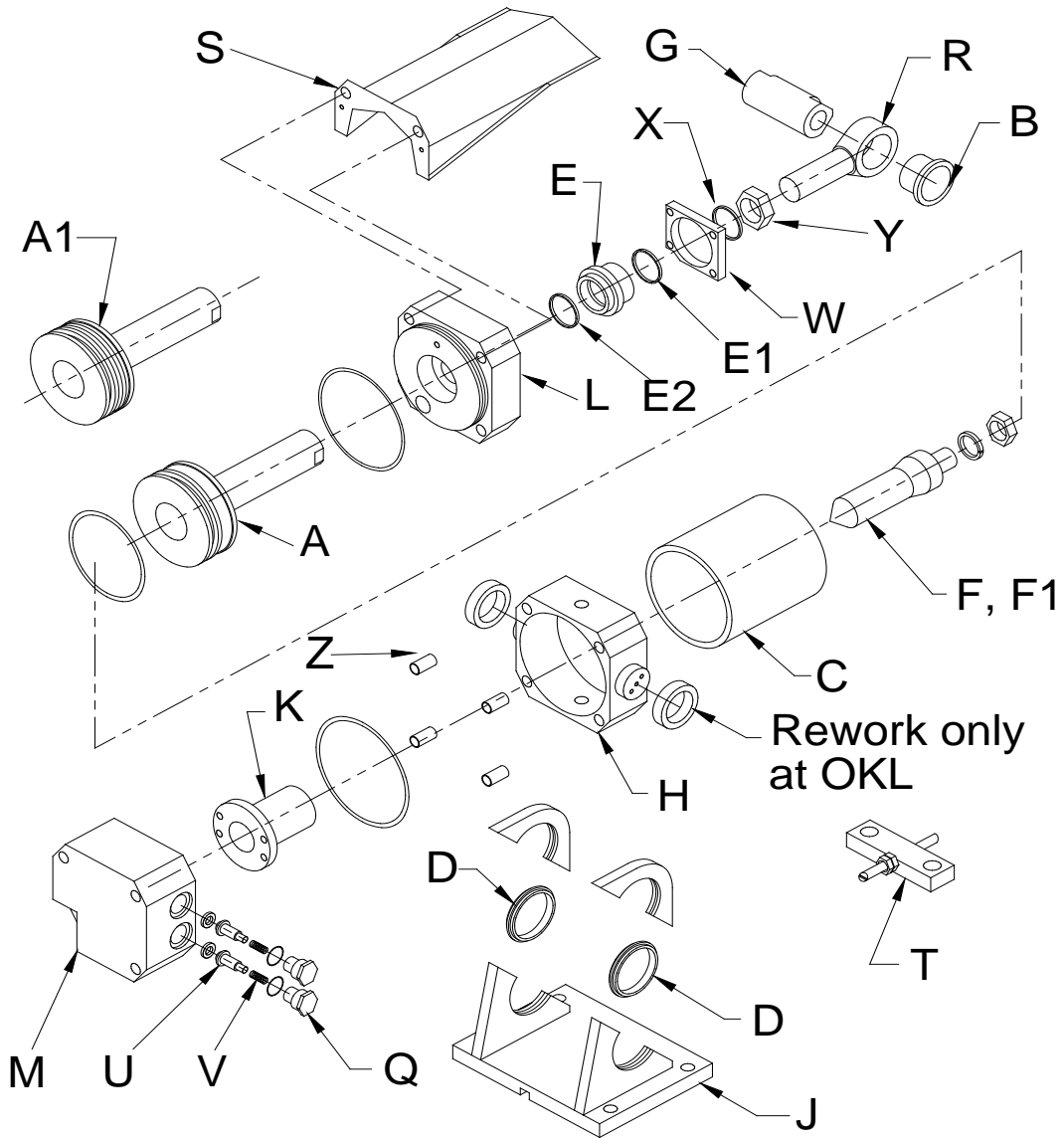
Air Cylinder Assembly	OK-F0000
Includes .All Component Parts, O-Rings, and Seals. Does not include the Trunnion Mount or the Trunnion Mount Bushings	

Key	Description	OEM Part No.	OKL Part No.	New Part Price	Repair Price
A	Piston, Single Seal Ceramic	-	OK-F0201		
A1	Piston, Double Seal Ceramic	105921	OK-F0200		
B	Rod End Bushing	122-1-5751	OK-F0400		
C	Air Cylinder Sleeve, Ceramic	114795	OK-F0600		
D	Trunnion Mount Bushing	107786	OK-F0700		
E	Rod Bearing	150350	OK-F0800		
E1	Wick		OK-F2060		
E2	Excluder Seal		OK-F2070		
F	Nose Piece - 6 th Gen.	103989	OK-F0900		
F1	Nose Piece - 7 th Gen.	107999	OK-F1400		
G	Air Cylinder Wrist Pin	101113	OK-F1000		
H	Trunnion	106356	OK-F1100		
J	Trunnion Mount	107772	OK-F1300		
K	Orifice Bushing	114775	OK-F1200		
L	Rod End Cover	1010414	OK-F1500		
M	Blind End Cover	107566	OK-F1600		
*N	Single Seal Kit (Not Shown)	-	OK-F1900		
*N1	Double Seal Kit (Not Shown)	106377	OK-F2000		
Q	Poppet Housing	771820	OK-F1800		
R	Rod End	101114	OK-F1700		
S	Splash Shield	114788	OK-F1050		
T	Adjusting Block with Stud	114836/772	OK-F0001		
U	Poppet Assembly		OK-F2080		
V	Spring	103724	OK-F2090		
W	Rod Bearing Retainer	-	OK-F2150		
X	Eye-bolt Lock Ring	-	OK-F1730		
Y	Eye-bolt Lock Nut	-	OK-F1720		-
Z	Trunnion Spacer	-	OK-F1250		-

* We occasionally have reconditioned parts for sale, Call for pricing and delivery.

Options	Price
Complete Air Cylinder Assembly Rebuild Includes re-sleeving of Trunnion. Replacing of Lee plugs. Cleanout of all passages. Grinding of Ceramic coated Piston. Replacing of Air Cylinder Sleeve.	
* Seal Kits (N) or (N1) Include: O-Rings, Seals, Wear Rings, Excluder, Wick, Poppet Assy and Rod Bearing (E) (Note: Poppet Housing (Q) is not included)	

Air Cylinder Assembly



Air Cylinder Lubrication

Key	Description	OEM Part No.	OKL Part No.	New Part Price	Repair Price
A	Air Cylinder Ass'y		OK-F0000		
B	Air Cylinder Wrist Pin		OK-F1000		
C	Air Cylinder Trunnion Mount				
D	Straight Pushlock Fitting	68-2-2	FIT0028		
E	90 Degree Adapter 1/8" NPT X 1/8" NPT	4/4/7405	FIT0052		
F	1/8" Poly Flow Tubing	1194U53.00			
G	Single Port Anchor Block		81583		
H	Fitting 1/8" NPT To 1/8" Comp.	7205-2	FIT0039		
J	90 Degree Adapter 1/4" - 28 X 1/8" NPT		20026		
K	1/8" Pipe Plugs				

Air Cylinder Assembly

